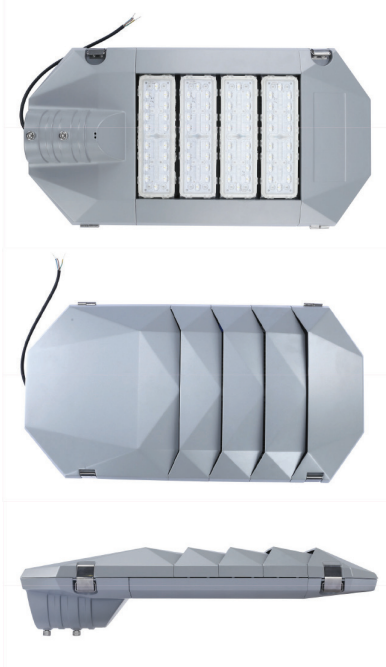


# ATLAS

PQ-STAT

- Modular pluggable technology, easy tool onsite maintenance
- Honeycomb briquette burning effect and the whole structure cooling technology
- Double-coupling IP68 protection, highest waterproof level
- Metal structure, high mechanical strength
- Ergonomic light distribution to achieve uniform illuminating effect
- Free modular serialization and full power range solution



## | Bird Spike

## | 3/5/7-pin NEMA Receptacle

### SPECIFICATIONS

Power	30W-320W
Input	120-277VAC or 220-240VAC or 347-480VAC or 12-24VDC
PF	>0.95
THD	<20%
L85	>100,000H
Operating Temperature	-40°C ~ +85°C
Efficacy	120-140lm/W
ANSI CCT	3000K/ 4000K/ 5000K/ 5700K
Min CRI	70* or 80 or 85
IP Rating	IP67
SPD	10KA* or 20KA
DALI	Optional
1-10V	Optional
Photocell	Optional
Smart Control	Optional
Optic (IESNA)	Type I, Type II, Type III, Type IV, Type V
Color Options	Grey / Black / Bronze / White

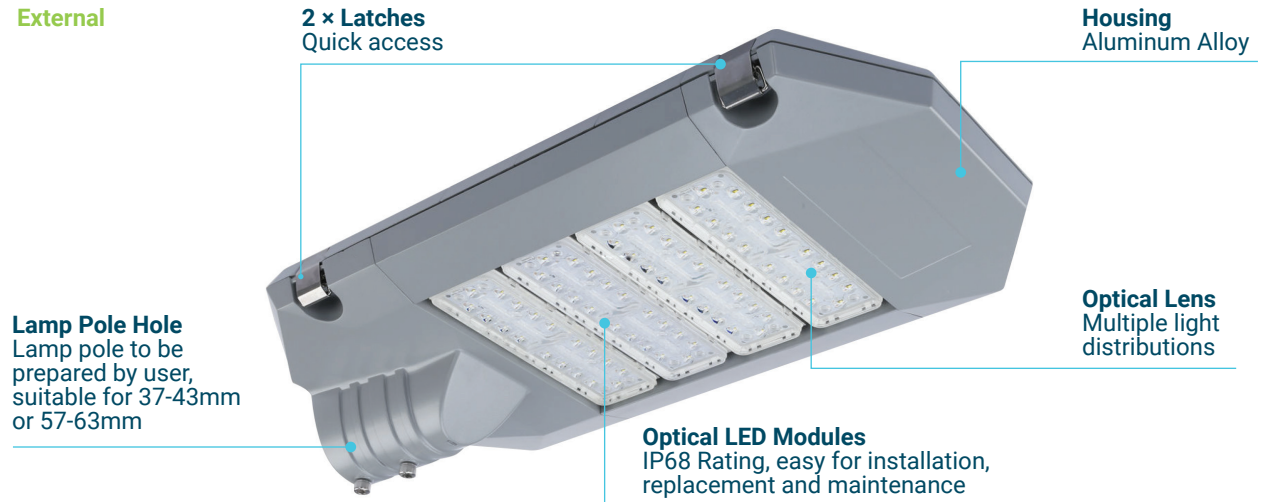
\* Standard

# ATLAS

PQ-STAT

## DESIGN FEATURES

### External



### Internal



## LISTINGS

UL, CUL,  
LM79, SAA,  
ENEC, CB, CE,  
ErP, RoHS, PSE,  
IK08



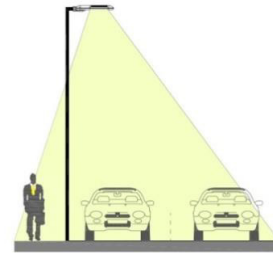
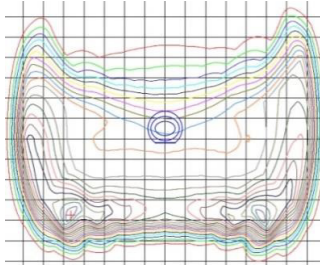
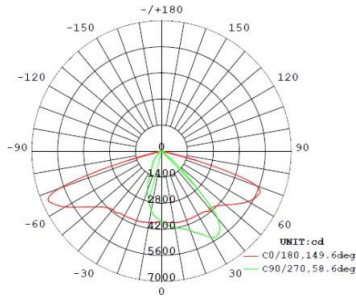
**LM79**

# ATLAS

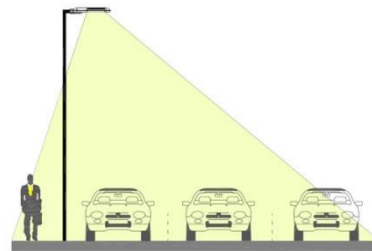
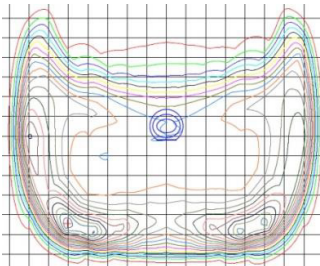
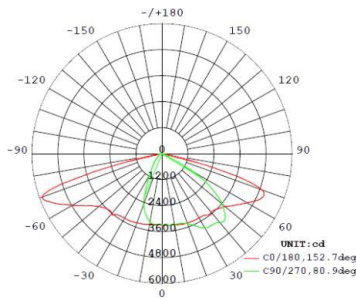
## PQ-STAT

### LIGHT DISTRIBUTION

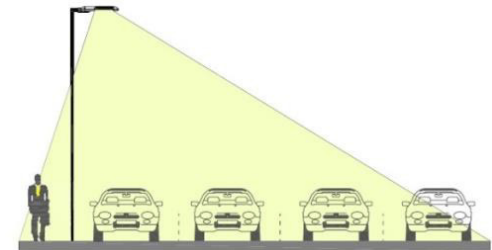
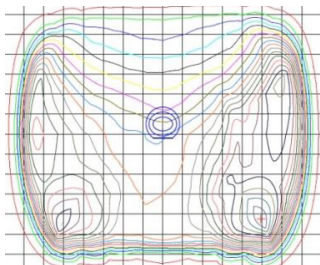
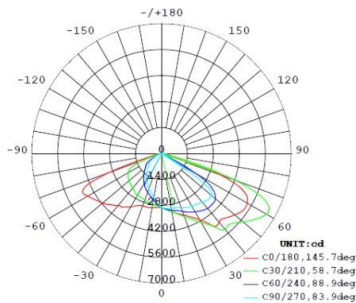
#### Type II: 60\*150



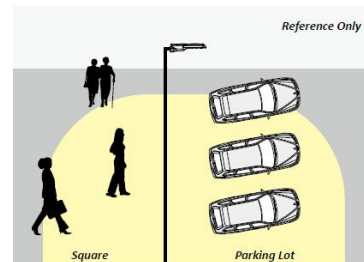
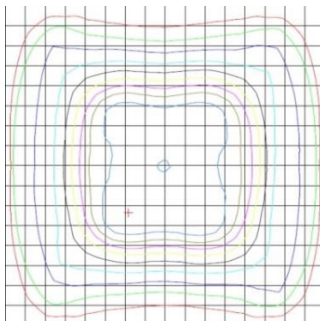
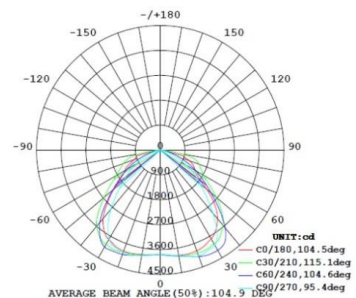
#### Type III A: 70\*150



#### Type III B: 80\*150 degrees



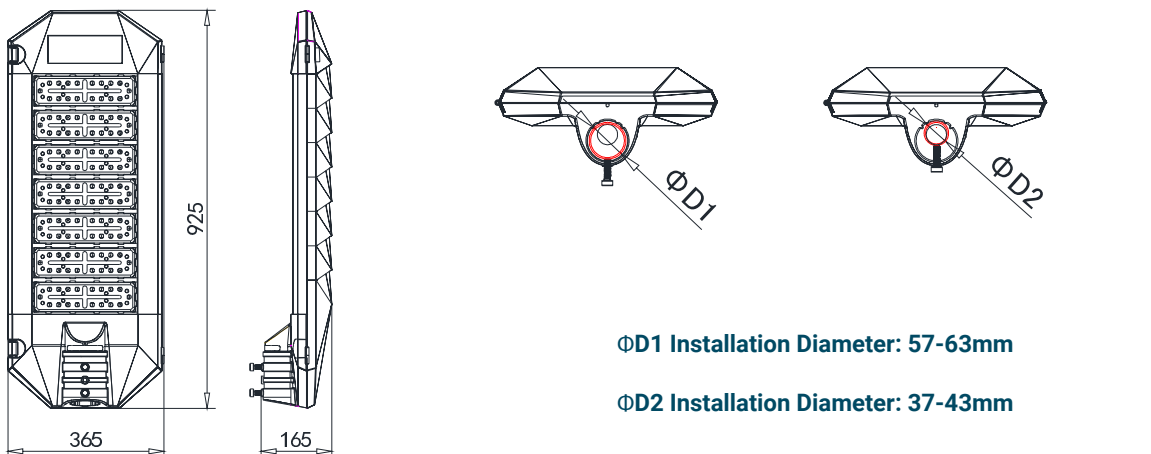
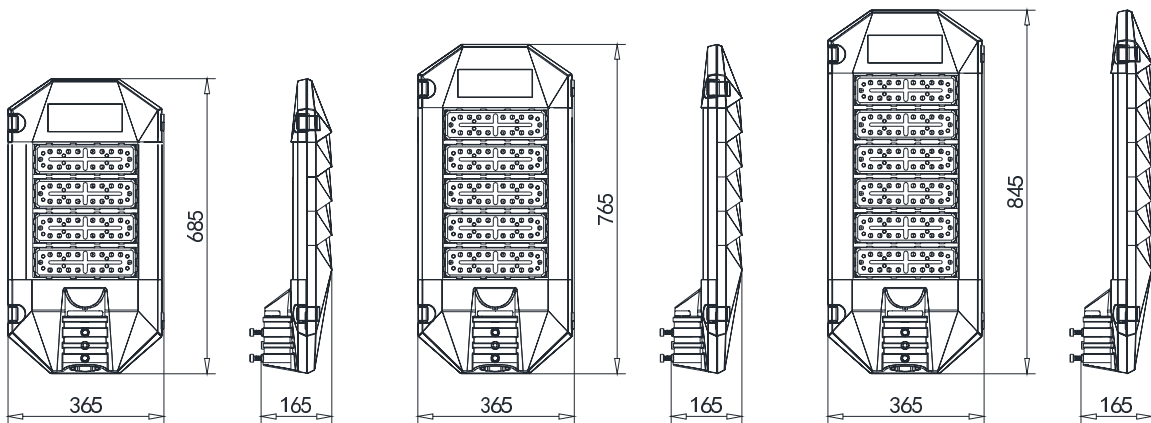
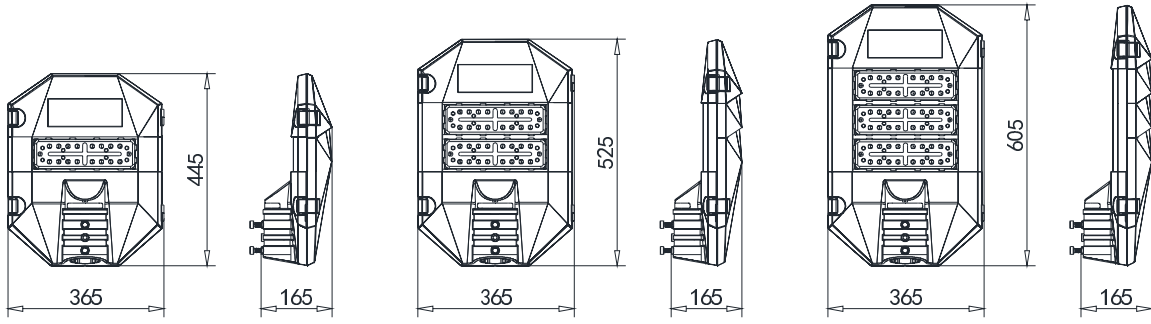
#### 90\*100 degrees lens for parking Lot



# ATLAS

## PQ-STAT

### DIMENSIONS



$\Phi D1$  Installation Diameter: 57-63mm

$\Phi D2$  Installation Diameter: 37-43mm