

SQUARE DOWNLIGHT

PQ-DWSQB-006P

- Integrated design, stamping with pure aluminum material, with high thermal performance, low light decline and long lifetime
- Back lighting emitting design, 30-50% brighter than side lighting design
- Anti-glare design, with uniform and soft lighting effect
- Patent product, with unique appearance and high quality
- CE, SAA, TUV, UL, Rohs certification



MODEL	POWER (W)	LUMEN	SHELL TEMP.
PQ-DWSQB-006P-10W	10	800lm	<55°
PQ-DWSQB-006P-12W	12	960lm	<58°
PQ-DWSQB-006P-15W	15	1200lm	<56°

LISTINGS



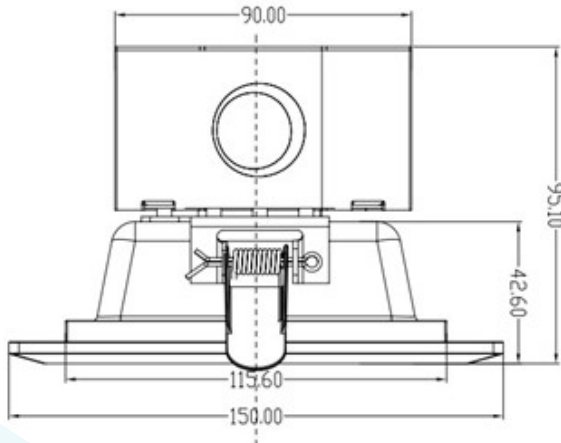
SPECIFICATIONS

Input Voltage	AC85-265/50-60Hz	Beam Angle	110°
Efficiency	70 lm/W	Color Temperature	2700-3200K, 4000-4500K, 5700-6200K
CRI	>80	Working Temperature	-25°+50°
Power Factor	>0.9	Function	Dimmable or Non-dimmable
LED Chip	SMD5630	Appearance color	Silver/White
Qty/Ctn	20PCS	Product size	150mm×150mm
Warranty	5 years	Cutout Size	130mm

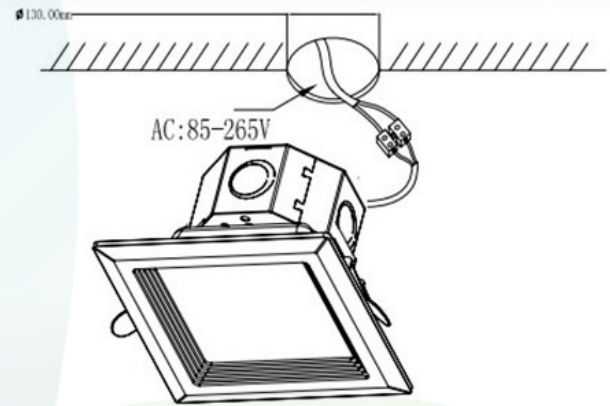
SQUARE DOWNLIGHT

PQ-DWSQB-006P

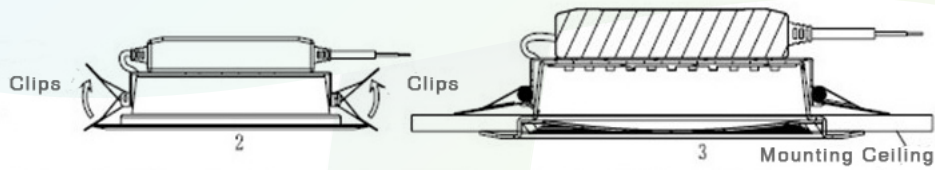
DIMENSIONS



CUTOUT SIZE



INSTALLATION



LIGHT DISTRIBUTION

