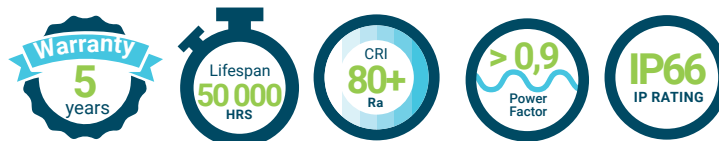


WATERPROOF

PQ-WPL4

- Quick-mount, surface, stainless steel spring clips supplied
- Diffuse polycarbonate lens for low glare and maximum protection
- Built-in sensor, external sensor is optional
- Emergency battery backup available
- Works in -35°C to 40°C temperature range
- Ideal for car washes, tunnels, stairwells



MODEL	LED POWER (W)	DIMENSIONS (mm)
PQ-WPL4-051K-046W	46	1160 x 120 x 109
PQ-WPL4-051K-150W	150	1270 x 254 x 115
PQ-WPL4-CCTK-046TW	30 / 38 / 46	1160 x 120 x 109
PQ-WPL4-CCTK-060TW	15 / 30 / 45 / 60	
PQ-WPL4-CCTK-100TW	70 / 80 / 90 / 105	1270 x 254 x 115
PQ-WPL4-CCTK-200TW	150 / 175 / 200	

SPECIFICATIONS

Input voltage	100-347VAC	IP and IK Ratings	IP66 / IK10
Color temperature (051K)	5000K	Dimming	0-10V
Color temperature (CCTK)	3500K, 4000K, 5000K	Ambient temperature	-35°C to 40°C
Luminous Efficiency	130 lm / W	Power factor	> 0.9
CRI	80	Environment	Wet location listed
Lifespan	50000 h	Warranty	5 years limited
Housing	PC	Humidity	20%-85% RH, non condensing

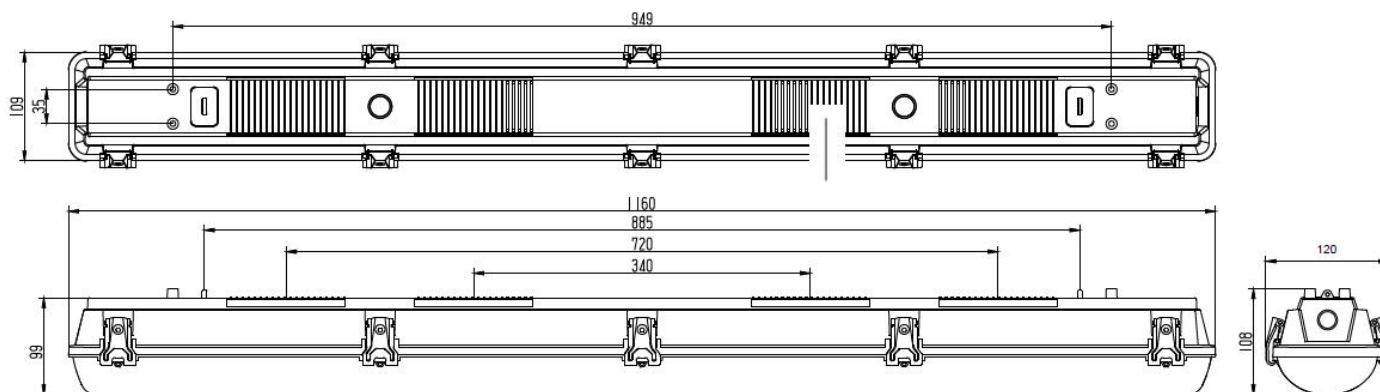
CERTIFICATIONS



WATERPROOF

PQ-WPL4

DIMENSIONS (46W, 60W)



MOTION SENSOR OPTIONS (46W, 60W)



External motion sensor
120-347V or 120-277V
15 m height max



Built-in motion sensor
120-277V only
6 m height max

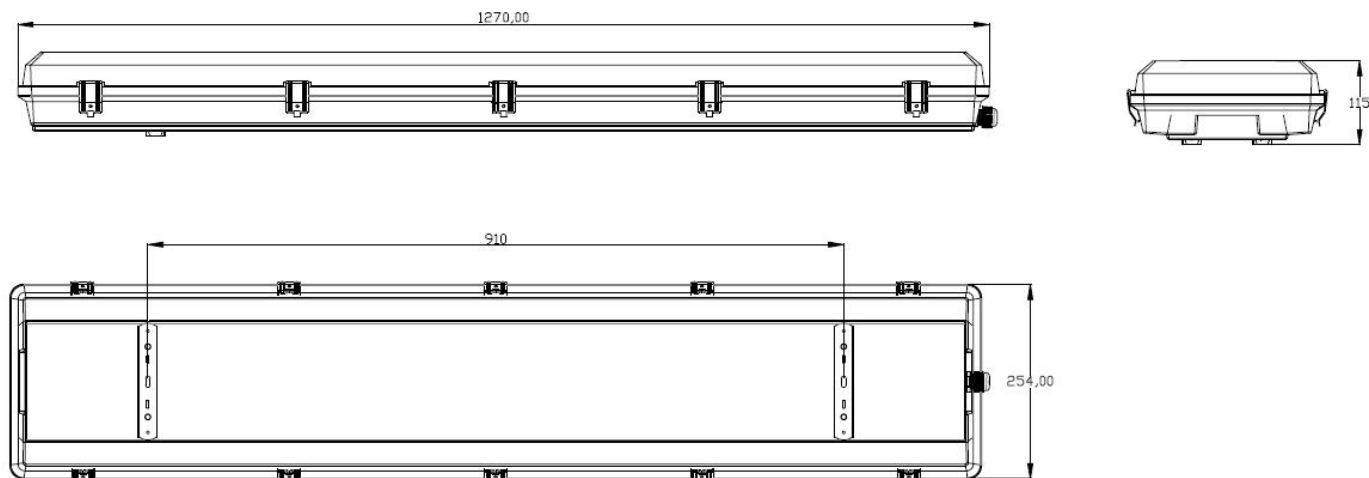


Built-in motion sensor
120-277V only
6 m height max

WATERPROOF

PQ-WPL4

DIMENSIONS (100W, 150W, 200W)



MOTION SENSOR OPTIONS (100W, 150W, 200W)



External motion sensor
120-347V or 120-277V
15 m height max



Built-in motion sensor
120-277V only
6 m height max