

EXPLOSION PROOF D-SERIES

PQ-EXD2S & PQ-EXDS

- High efficacy: up to 140lm/W
 - CRI >70
 - Surface mounting and pendant installation
 - Wide and narrow optics for uniform illumination
 - Copper-free aluminum
 - High vibration resistance
-
- NEMA4X, IP66
 - UL 1598/UL 1598A/UL844
 - CSA C22.2 No.137/No.250.0
Class I, Division 1, Groups C, D
Class I, Division 2, Groups A, B, C, D
Class II, Division 1, Groups E, F, G
Class II, Division 2, Groups E, F, G
Class III
 - Marine and wet locations
 - IECEX
 - ATEX
 - 5 years or other warranty period specified in agreement
 - L70 rating for more than 150000 hours



MODELS	POWER (W)	LUMENS
PQ-EXD2S	20	2800
	40	5600
	60	8400
	80	11200
PQ-EXDS	80	11200
	100	14000
	120	16800
	150	21000
	200	28000

CERTIFICATIONS

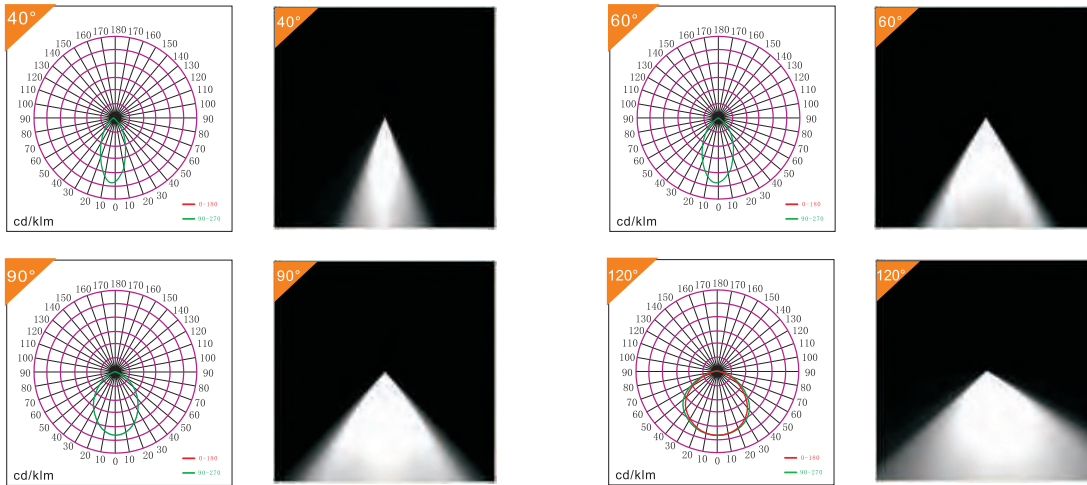


EXPLOSION PROOF D-SERIES

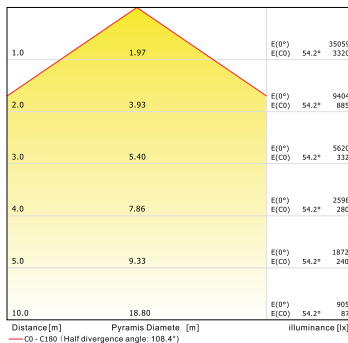
PQ-EXD2S & PQ-EXDS

SPECIFICATIONS		
Models	EXD2S	EXDS
CCT	4000K-5700K	
Voltage	AC100-277V or AC200-480V	
Working Hours	50,000 Hrs	
CRI	70	
Efficacy	140lm/W	
Size (in)	11.6x11.6x9.55	15.7x11.3x10
Dimmable	Optional	
Beam Angle	40°, 60°, 90°, 120°	
Warranty	5 years	

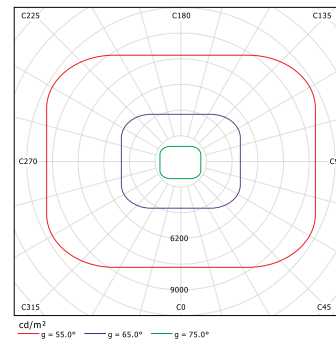
LIGHT DISTRIBUTION



Light intensity curve(220W)



Plane illuminance curve

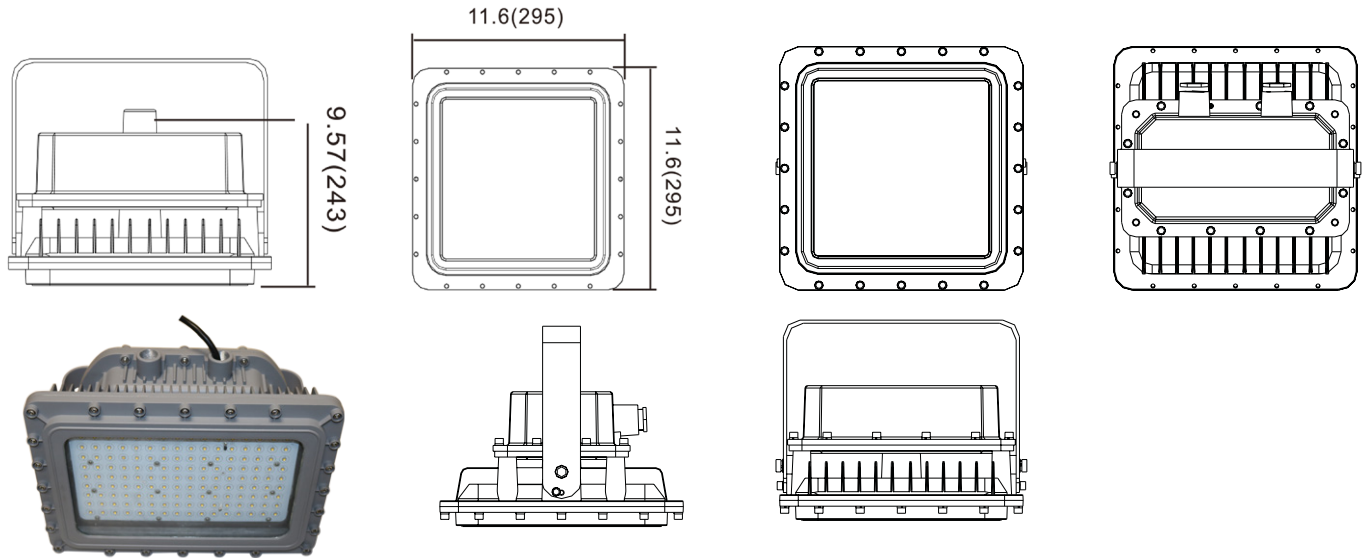


EXPLOSION PROOF D-SERIES

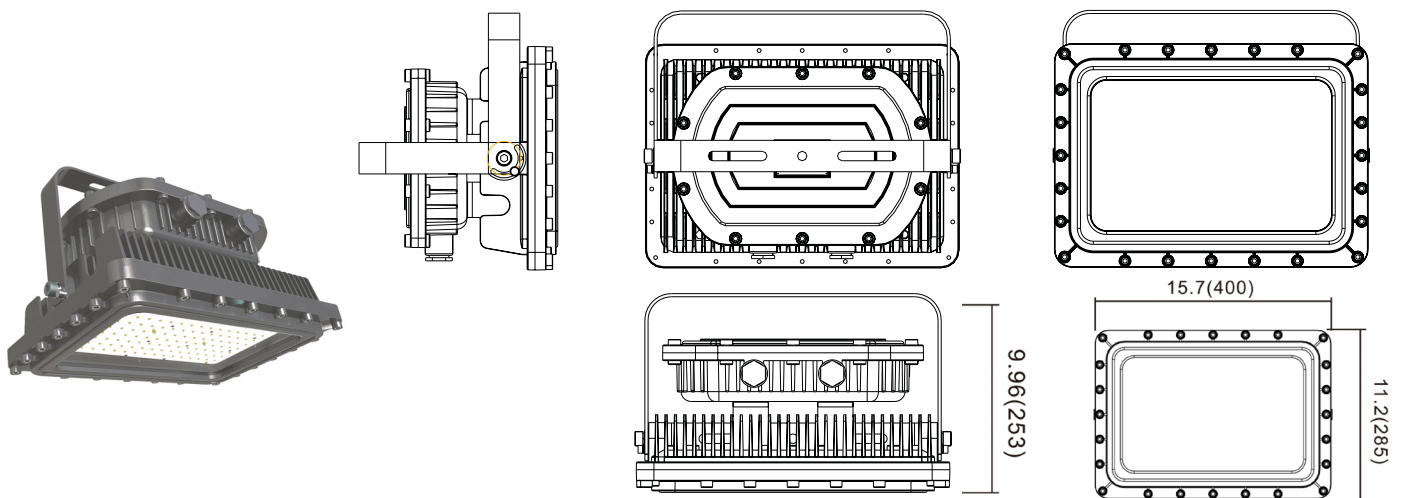
PQ-EXD2S & PQ-EXDS

STRUCTURE DIAGRAM

MODEL: EXD2S



MODEL: EXDS



EXPLOSION PROOF D-SERIES

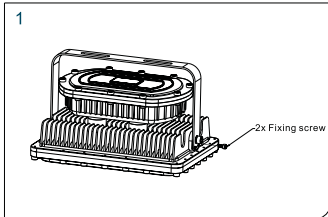
PQ-EXD2S & PQ-EXDS

MOUNTING METHOD

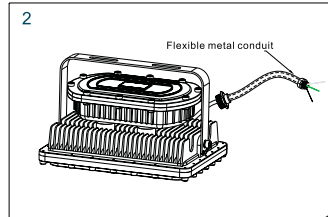
Explosion proof light can be surface or pendant mounted by bringing down a rigid conduit to the light fixture.

Mounting option note: Pendant mounting option requires conduit be supplied by the installer.

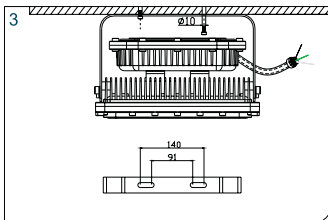
Steps for ceiling mount



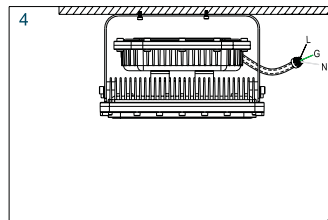
1. Remove the fixture and accessory from the box, then tighten the 2 angle holder screws.



2. Feed the cable through the flexible metal conduit and tighten it onto the fixture.

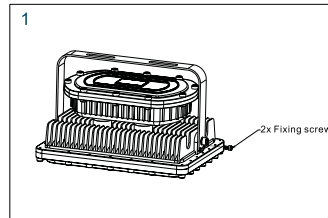


3. Drill two holes as shown. The distance can be from 91~140 mm, fixing Ø10 expansion screws and bracket on ceiling.

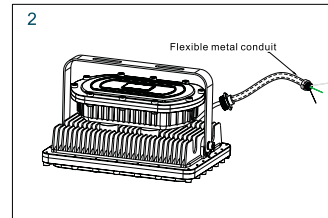


4. Connect the AC cable: black cable to live wire, white cable to null wire, green cable to ground.

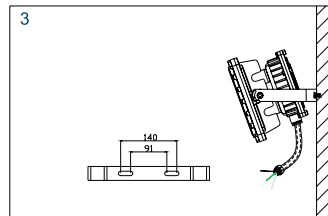
Steps for wall mount



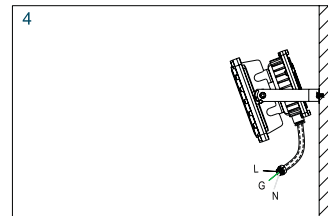
1. Remove the fixture and accessory from the box, then tighten the 2 angle holder screws.



2. Feed the cable through the flexible metal conduit and tighten it onto the fixture.



3. Drill two holes as shown. The distance can be from 91~140 mm, fixing Ø10 expansion screws and bracket on the wall.



4. Connect the AC cable: black cable to live wire, white cable to null wire, green cable to ground.

APPLICATIONS

This luminaire can be used as a spotlight, downlight or tunnel light which can provide general illumination in hazardous locations, such as:

- Refinery
- Oil and gasoline loading dock
- Gas station
- Painting manufacture workshop
- Pumping station
- Metal smelting plant
- Mining
- Ocean platform
- Aerospace plant
- Chemical plant
- Vessel
- Military
- Flour mill
- Distillery
- Power station
- Any other high humidity, high temperature, dusty locations