

GIMBAL COB DOWNLIGHT

PQ-DWLSA



- Type IC rated: no housing required
 - Fast and easy installation
 - Junction box included
 - CRI 90: True colour rendering is an option
 - ETL listed: reliable quality and safe operation
 - Energy Star certification
-
- Adjustable gimbal lighting fixture can be aimed downward on sloped ceilings or directed onto any area or artwork that you wish to highlight.
 - The fixture offers 35-degree vertical tilting, 355-degree bidirectional plane rotation. It can be adjusted to aim in any direction.
 - Optimal for new construction or remodelling for residential, office and hospitality locations.



GIMBAL COB DOWNLIGHT				
Model	Power	Color Temperature	Input Voltage (v)	Dimensions
DWLSA	07W	CCTK= 2700K 3000K 3500K 4000K 5000K	120AC	3 inches
	15W			4 inches

CERTIFICATIONS



GIMBAL COB DOWNLIGHT

PQ-DWLSA

SPECIFICATIONS	
Input Voltage	120V
Power	7W / 15W
Color Temperature Adjustable CCTK	2700K / 3000K / 3500K / 4000K / 5000K
Frequency	50-60 Hz
LED Type	COB LED, IESNA IM-80 compliant
Beam Angle	30°
IP Rating	40
Power Supply Efficiency	75-80 lm/W
Power Factor	95
CRI	80-90
Dimming	Triac
Lifespan	45,000 Hrs
Warranty	5 years

STRUCTURE



CONSTRUCTION

Die-cast aluminum trim ring and die-formed aluminum frame with anti-glare design ring.

OPTICS: Glass cover, clear/frosted in the middle.

LED: COB LED, IESNA IM-80 compliant.

ELECTRICAL JUNCTION BOX MOUNTING

May be used in compatible electrical junction boxes in direct contact with insulation including spray foam insulation.

Proprietary slot-n-lock quick installation system for junction box installation.

RECESSED HOUSING MOUNTING

May be installed in IC recessed housings in direct contact with insulation.

LED DRIVER

Driver is a 120V input, high efficiency dimmable electronic power supply providing DC power to LED.

Driver is replaceable if it should be required.

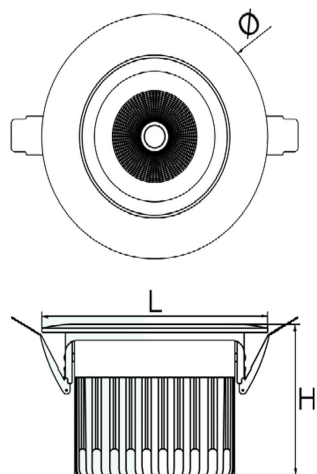
DIMMING

Dimming to 10% is best assured using dimmers with low end trim adjustment.

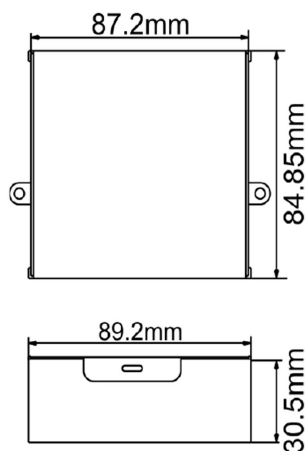
GIMBAL COB DOWNLIGHT

PQ-DWLSA

DIMENSIONS



LED Driver



Model	7W	15W
Aperture	90 mm	120 mm
Ceiling opening	80 mm	108 mm
Overlap trim	45 mm	45 mm
Height	60 mm	74 mm

ACCESSORIES



**4" and 6"
construction pan**



Hangers bar joist



Extension cable

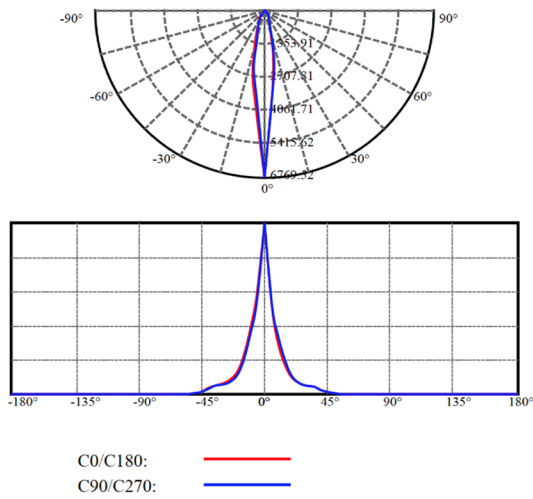
GIMBAL COB DOWNLIGHT

PQ-DWLSA

LIGHT DISTRIBUTION

PQ-DWLSA - 15W - 4000K - 30° Beam Angle

Polar Candela Distribution

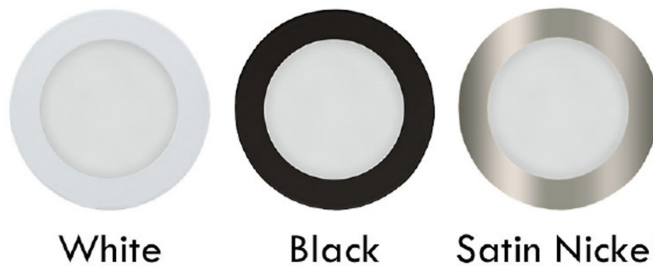


Illuminance at Distance

1.0m	6769.5 , 3349.4 lx	39.56cm
2.0m	1692.4 , 837.3 lx	79.13cm
3.0m	752.2 , 372.2 lx	118.69cm
4.0m	423.1 , 209.3 lx	158.25cm
5.0m	270.8 , 134.0 lx	197.82cm
6.0m	188.0 , 93.0 lx	237.38cm
7.0m	138.2 , 68.4 lx	276.94cm
8.0m	105.8 , 52.3 lx	316.51cm
9.0m	83.6 , 41.4 lx	356.07cm
10.0m	67.7 , 33.5 lx	395.63cm

Max . Ave Beam angle of C0plane22.36

COLOR OPTIONS



GIMBAL COB DOWNLIGHT

PQ-DWLSA

FIXTURE INSTALLATION

Important: Read all instructions in order to ensure safety and proper installation.

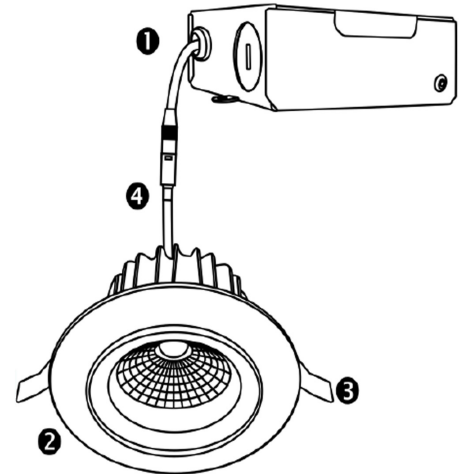
PARTS LIST

1. Junction box
2. Light panel
3. Spring clips
4. Connector

Maintenance:

1. Do not modify this fixture. Any modifications may render the product unsafe and void warranty.
2. This product is suitable for damp locations.

WARNING: Turn power OFF from electrical panel before installation or maintenance.



1. Turn power OFF at the electrical panel prior to installation.
2. Determine the location for installation and cut ceiling hole in accordance with cut-hole dimensions. Refer to hole diameter table for appropriate sizes. (Fig.1)
3. Open the junction box cover and remove the appropriate knockout(s) on the side panel. (Fig. 2)
4. Insert the electrical supply cable through the knockout and secure with a cable connector (sold separately).
5. Using quick-connect push-in terminals, connect the ground wire to the green wire terminal; black wire terminal; white wire to white wire terminal. (Fig. 2)
6. Place all wiring and connections back in to the box and close the cover. Connect the driver to the light panel.
7. Insert junction box through the mounting hole. (Fig. 3)
8. Push spring-loaded clips on the fixture upwards and insert fixture base in to the mounting hole. Release the clips and fixture will be pulled flush to the ceiling. (Fig. 4)

