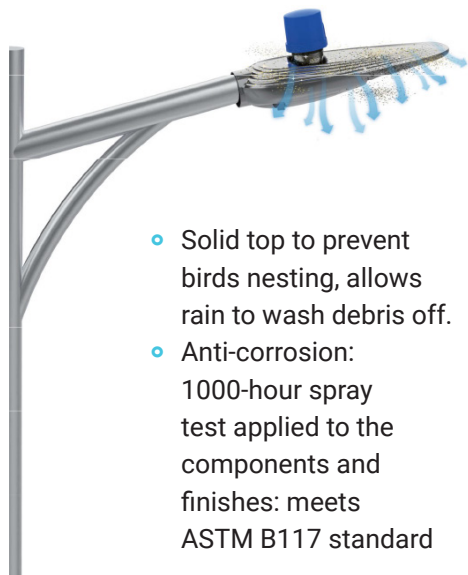


STREET LIGHT

PQ-STHD

PQ-STHD is a high-efficiency street light suitable for any outdoor usage.

- Field-adjustable light output
- Driver current and output setting available
- Connectors supplied for tool-less conversion to wireless dimming via PCR-7
- Field-changeable connectors quickly enable wireless node dimming, if desired in the future
- Suitable for 3/5/7-pin photocell
- Vibration resistance: The RFL meets the ANSI C136.31-2018, American National Standard for Roadway Luminaire Vibration specifications for bridge/overpass applications. (Tested for 3G over 100,000 cycles by independent lab)



- Solid top to prevent birds nesting, allows rain to wash debris off.
- Anti-corrosion: 1000-hour spray test applied to the components and finishes: meets ASTM B117 standard



CERTIFICATIONS



- Tool-free access to replace the driver or do maintenance



- Longer lifetime: die-cast aluminum housing, integrated design to ensure maximum heat transfer, long LED life and low EPA (0.6ft²)
- Meets ANSI 3G vibration standards

STREET LIGHT

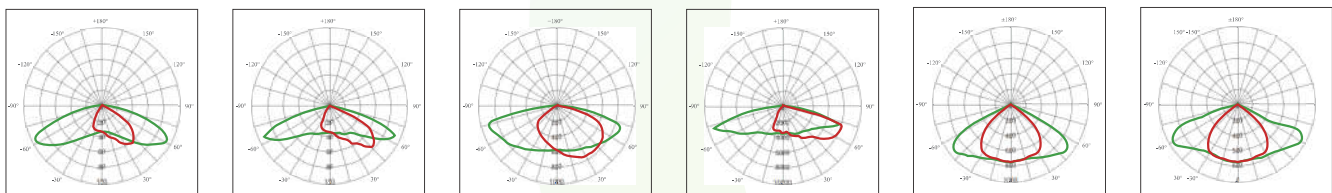
PQ-STHD

SPECIFICATIONS

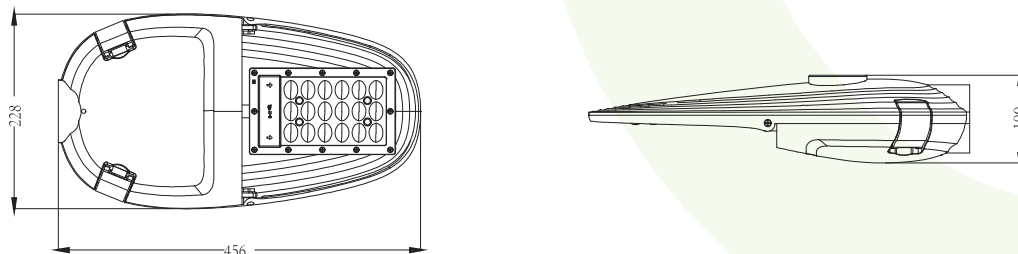
Input Voltage	AC 100-277V/200-347-480V	CCT	3000K, 4000K, 5700K, 6500K optional
Power factor	0.90	CRI	>70Ra
THD	<20%	IP rating	IP66
Driver	Sosen	Dimming	Photocell sensor
Operating Temperature	-20°C to +40°C	Lifespan	L70 > 100000 hours
Lumens	130Lm/W	Light distribution options	Optional

MODEL	LUMEN OUTPUT (LM)	WATTS	DIMENSIONS (mm)
PQ-STHD-40W	5200	40	L455xW228xH100
PQ-STHD-50W	6500	50	L455xW228xH100
PQ-STHD-60W	7800	60	L455xW228xH100
PQ-STHD-75W	9750	75	L455xW228xH100
PQ-STHD-90W	11700	90	L600xW285xH125
PQ-STHD-100W	13000	100	L600xW285xH125
PQ-STHD-120W	15600	120	L600xW285xH125
PQ-STHD-150W	19500	150	L600xW285xH125
PQ-STHD-180W	27000	180	L600xW285xH125
PQ-STHD-200W	26000	200	L600xW285xH125

PHOTOMETRIC DIAGRAMS



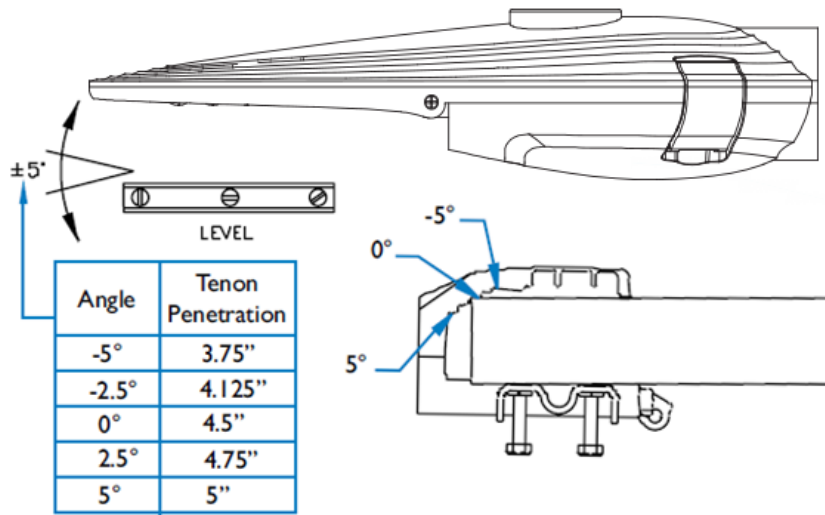
DIMENSIONS



STREET LIGHT

PQ-STHD

SCHEMATIC



INSIDE VIEWS

