

DOWNLIGHT

PQ-DWLRHC

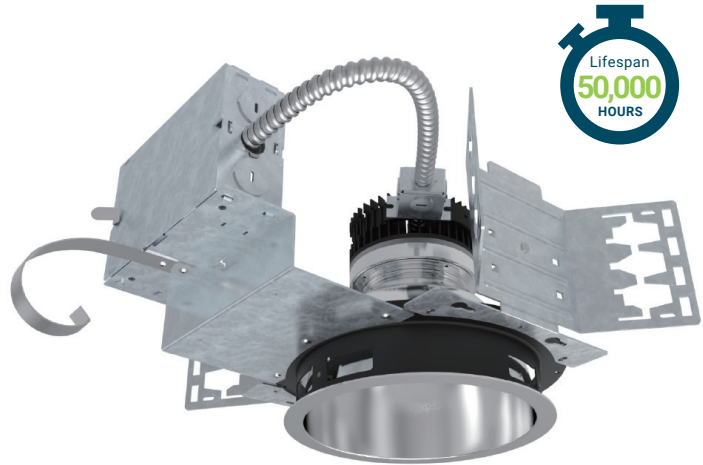
- Lighting is smooth and comfortable while using 50% less energy than common 26W & 32W CFL downlights.
- Designed to install in existing downlight mounting frames for conversion to energy-efficient LED, saving from 35% to 75% on energy costs.
- Ideally suited for use in commercial, retail and other architectural applications
- Available with dedicated emergency battery backup

4" LED recessed housing – new construction – non-insulated ceiling

High efficacy LED housing – dimmable

FOR USE IN NON-INSULATED CEILINGS

Can be used in insulated ceilings, but insulation must be kept 3" from all sides of the housing



PQ-DWLRHC-1-2-3-4-5-6-7-8

SPECIFICATIONS

1	Color Temperature	31K: 3000K, 41K: 4000K, 51K: 5000K
2	Wattage	015: 15W, 025: 25W, 037: 37W
3	Input Voltage	120V-277V
4	Dimmable	D: Dimmable, _: Non-dimmable
5	Options	EM: Emergency Backup, C: C-Channel Bar Hanger, F: Flat Bar Hanger, H: Wood Joist Bar Hanger
6	Reflector trim options	SE: Self Flanged, SFW: Self Flanged White, _: No Flange
7	Reflector finish options	C: Clear, HZ: Haze, WH: White
8	Reflector lens type options	CR: Clear Tempered, SB: Sandblasted

FEATURES

ELECTRICAL SYSTEM

- Thermal protection guard protects the LED module from overheating and will dim LED module if necessary
- PF > 9.50/60Hz
- Fully dimmable down to 10% of initial light output with a 0-10 Volt dimmer.

LUMENS

- 15W: 1250LM, 25W: 2000LM, 37W: 3000LM

REFLECTOR

- High quality reflector with 1.2mm thickness
- Optional painted white flange is available

REFLECTOR ASSEMBLY

- Reflector easily wires to dedicated frame with locking quick connect

LED MODULE

- Cree true white® technology available
- CRI>80%
- Color temperature 3000K-5000K

- Rated for 50000 hours at 70% lumen output
- No heat, mercury or UV

FRAME

- Constructed from 16-gauge steel, die-formed construction for max heat dissipation and rust protection.

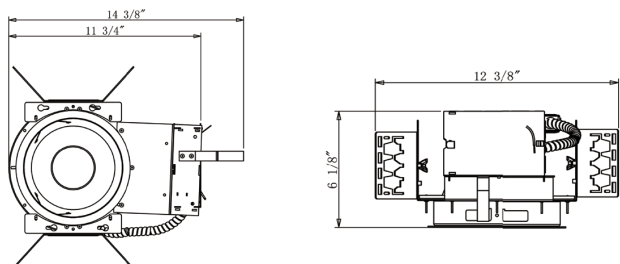
CLEARANCE

- Frames require a minimum clearance of 3" ring from thermal insulation and 1/2" from adjacent building component.

DOWNLIGHT

PQ-DWLRHC

DIMENSIONS



JUNCTION BOX

- Plaster frame integrated 29 cubic inch 0.064" thick galvanized steel
- Provided with four 1/2" knockouts, one 3/4" knockout and four Romex knockouts with true pryout slots and strain clamps. Designed for straight through conduit runs.
- Electrical connections are made through a single junction box door.
- Green wire provided for installation with ground wire fed through PVC pipe conduit.

MOUNTING

- Designed to install into an existing downlight mounting frame and convert it into an energy-efficient LED downlight.
- Cable is designed to attach into existing junction box

- Vertically adjustable universal mounting brackets accept flat bar hangers, conduit or C channel.
- The reflector assembly is held in with 4 butterfly spring clips.
- Reflector assembly quickly attaches with lockable quick connect. Hanger bars ordered separately.
- Compatible with C-channel, flat bar wood joist bar hanger and EMT

THERMAL PROTECTOR

- External thermal device is located on the junction box wrap.

DRIVER

- The LED driver is mounted to the junction box cover and is accessible from below the ceiling.
- Rated for 50 to 60Hz at 120V/277V input
- Produces less than 20% THD