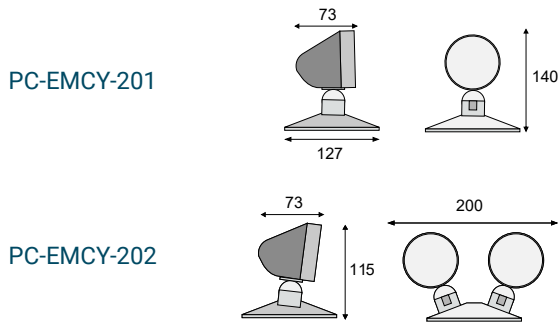


EXIT LIGHTS

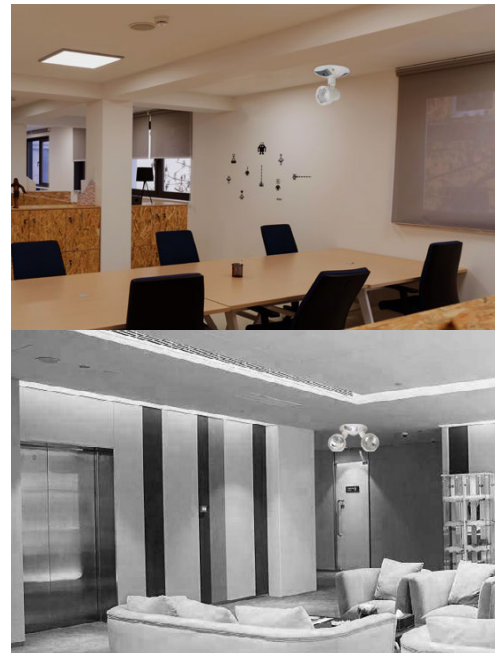
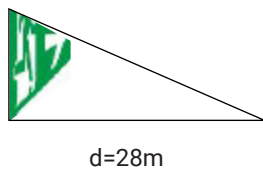
PQ-EMCY-201 and 202

- Thermal plastic housing
- High efficiency LED
- Adjustable swivel locks the head in position
- UL-94V-0 flame rating, fire-resistant
- Dimensions:
PQ-EMCY-201: 127 x 73 x 140 mm
PQ-EMCY-202: 200 x 73 x 115 mm

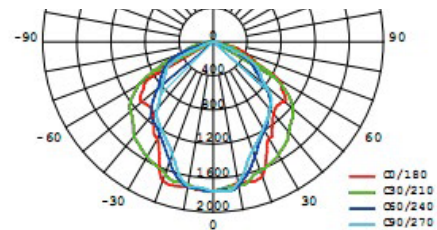
DIMENSIONS



VISIBLE DISTANCE



PHOTOMETRIC DATA



SPECIFICATIONS

| | | | |
|-----------------------|--|---------------------|--|
| Input Voltage | SVDC – 12VDC input | Lumens | PQ-EMCY-201: 180 lm PQ-EMCY 202: 2x180 lm |
| Max power consumption | PQ-EMCY-201: 2W PQ-EMCY 202: 2 x 2W | Working temperature | 5°C ~ 30°C |
| Battery | None | Certifications | CSA, UL |