

# LED VAPOR-PROOF JELLY JAR

## PQ-DLCW

Our LED Vapor-Proof Jelly Jar is a rugged LED fixture built to match the appearance of the traditional Jelly Jar fixtures. LEDs easily replace traditional incandescent & CFL fixtures for wet and damp applications. Constructed with cast aluminum housing and stainless steel guards, with a polycarbonate frosted diffuser. Available in two different mounting options: ceiling and wall.

- 65% energy saving and reduced maintenance cost for up to 50,000+ average life hours
- LED integrated design for quick installation, reduce maintenance
- IP65 vapor tight design keeps out dust, moisture and water
- Rugged cast aluminum housing with powder coated
- Stainless steel wire guard, shatter, impact and corrosion resistant
- Polycarbonate frosted diffuser provides you glare-free light
- High efficiency with 110 lumen per watt
- High reliable LED driver with integral 4kV surge protection
- Available in ceiling and wall mounting, 0~90° lighting angle adjustable
- Suitable to install on most existing universal junction box
- Optional junction box with four 3/4" conduit entries for easy wiring
- Optional dusk till dawn with integrated photocell



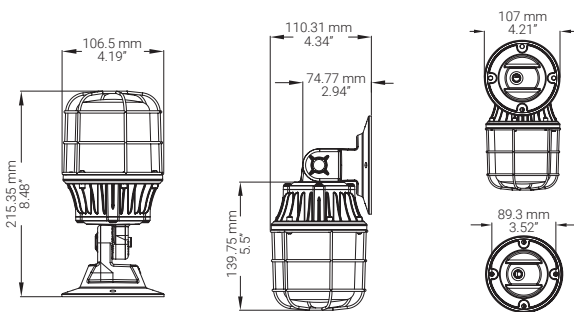
### SPECIFICATIONS

Input Voltage	AC100-277V – 50-60 Hz
Power	20W
Total lumens	2200 ± 10%
Beam angle	360°
LED brand	Everlight
CCT	3000K/4000K/5000K/6500K
Lens material	Polycarbonate frosted
Power factor	≥ 0.9
IP rating	IP65

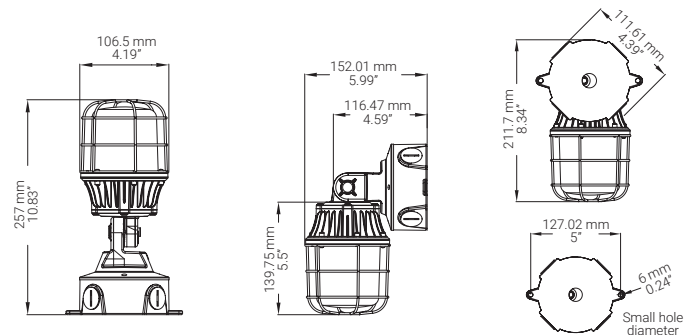
XX= Color temperature : 31K=3000K-3500K 41K=4000K-4500K 51K=5000-5500K 61K=6000-6500K

### DIMENSIONS

Unit: inch/mm



WITHOUT JUNCTION BOX



SUPPLIED WITH JUNCTION BOX