

# LED SHOEBOX

## PQ-SBRZ

- Perfect for area lighting, medium height parking lot poles, new construction applications, outdoor applications such as parking lots, roadways, seaside areas
- 3 types of plugin motion sensors
- CCT and wattage switchable are optional



### SPECIFICATIONS

Efficacy	130 lm/W (±10%)	Frequency	50/60 Hz
Input voltage	120-277V AC	Lens material	UV stabilized polycarbonate
CCT	3000K / 4000K / 5000K	Housing	Diecast aluminum
THD	<20%	CRI	Ra >70
LED type	2835 / 3030	Operating temperature	-40°~+40°C (-40°~+104°F)
Light distribution	Type II/Type III/Type IV/Type V	Finish	Black/Bronze/Customized (Optional)
IP rating	IP 65	Additional functions	0-10V dimmable, photocell/microwave motion sensor, CCT selectable, wattage switchable
IK degree	IK08	Lifetime	>50,000 hrs (Ta=30°C@L80)
Certificates	UL/cUL, DLC 5.1 Premium	Warranty	5 years

MODEL	POWER (W)	LUMINOUS FLUX	LED QTY	REPLACES HID
PQ-SBRZ-XXK-100W	100	13000 lm	240	320W
PQ-SBRZ-XXK-150W	150	19500 lm	240	450W
PQ-SBRZ-XXK-200W	200	26000 lm	324	600W
PQ-SBRZ-XXK-240W	240	31200 lm	480	750W
PQ-SBRZ-XXK-300W	300	39000 lm	480	1000W

XX= Color temperature : 341K=4000K-4500K 51K=5000-5500K 57K=5700K

Add Brackets: Slip Fitter (SF), Direct Mount (DI), Direct Mount (UDI), Square/Round Pole Bracket (SM), Yoke Mount (TS)

# LED SHOEBOX

PQ-SBRZ

Strong housing with great heat dissipation

Photocell 

5 kinds of mounting options

Clamshell design

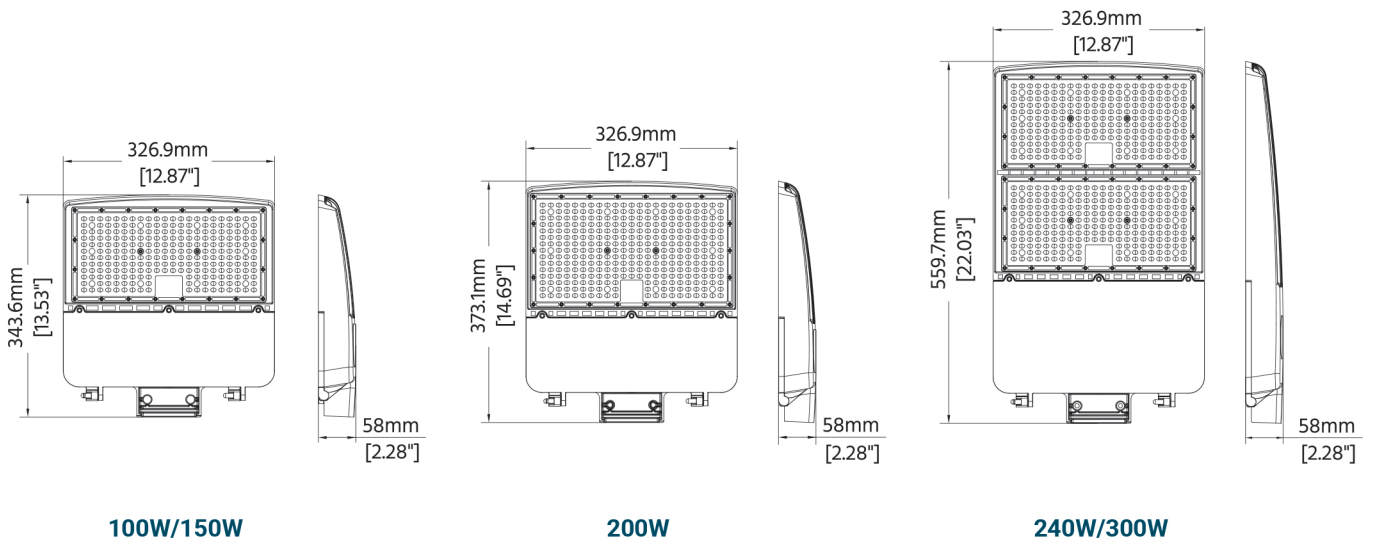
2835/3030 LEDs up to 130 lm/W

3 kinds of plug-in microwave motion sensors



DIP switch  
CCT selectable & wattage switchable

## DIMENSIONS



# LED SHOEBOX

PQ-SBRZ

## ACCESSORIES



Haisen



Sharkward  
microwave motion sensor



Long-Join



Shorting cap



Photocell socket base

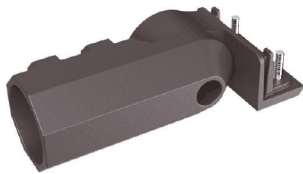


Lightning arrester

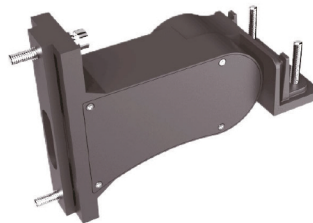


Photocell (dusk to dawn)

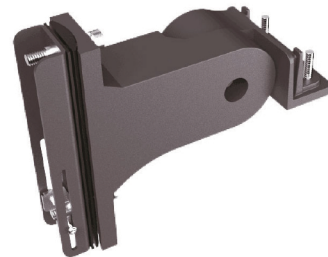
## BRACKET OPTION



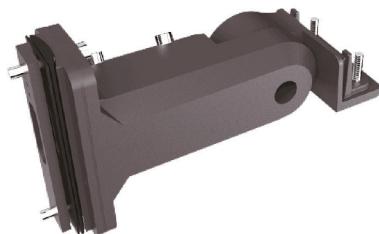
Slip Fitter (SF)



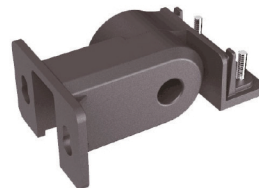
Direct Mount (DI)



Direct Mount (UDI)



Square/Round Pole Bracket (SM)



Yoke Mount (TS)