

SLIM TROFFER

PQ-TROK

Power-Q's floating curved troffer offers a built-in LED emergency driver to provide critical illumination when normal power fails for any reason.

Featuring a low profile form factor, it is ideal for buildings with a low plenum space and is suitable for all standard 2x2, 1X4 or 2x4 grid ceilings.

- CCT adjustable: 3500k, 4000k, 5000k
- Wattage selectable, 110lm/W DLC standard or 125lm/w DLC premium



SPECIFICATIONS

Input Voltage	110-277VAC or 110-347VAC	CRI	>89
CCT Adjustable	3500K/4000K/5000K	Lifespan	50000 hrs
Driver	Class 2 high efficiency	Thermal management	Aluminum housing acts as heat sink
THD	<20%	Environment	Damp rated for ambient -0°C-50°C
Power factor	>0.9		

EMERGENCY PERFORMANCE

Output power	6W	Recharge	24 hrs
Output voltage	30-54VDC	Emergency operation	>90 minutes

MODEL	SIZE	WATTAGE SELECTABLE	EFFICACY
PQ-TROK-CCT-35TW-UNIV-D-22	2' x 2'	35W/30W/25W	110lm/W or 125 lm/W
PQ-TROK-CCT-35TW-UNIV-D-14	1' x 4'	35W/30W/25W	110lm/W
PQ-TROK-CCT-50TW-UNIV-D-24	2' x 4'	50W/40W/3-W	110lm/W or 125 lm/W

PQ-TROK-CCT-35TW-UNIV-D-22:
 Size: 22/14/24
 Dimming: D
 CCT TW: Adjustable
 Add E for Emergency

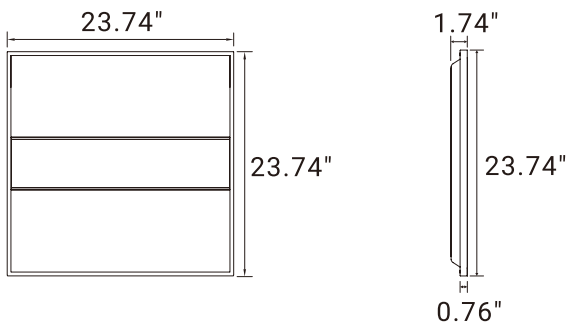
SLIM TROFFER

PQ-TROK

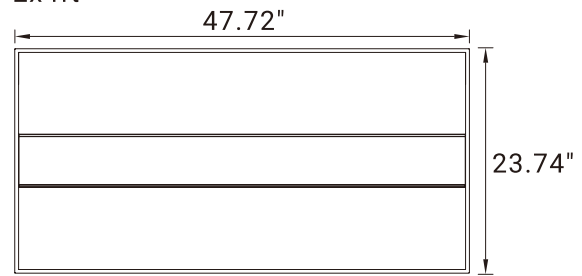
DIMENSIONS



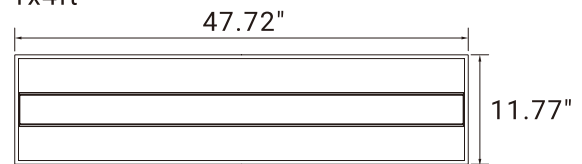
2x2ft



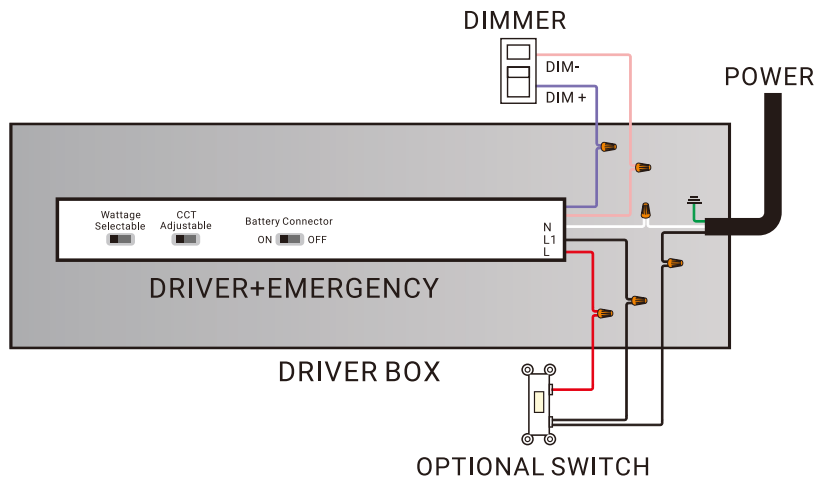
2x4ft



1x4ft



WIRING

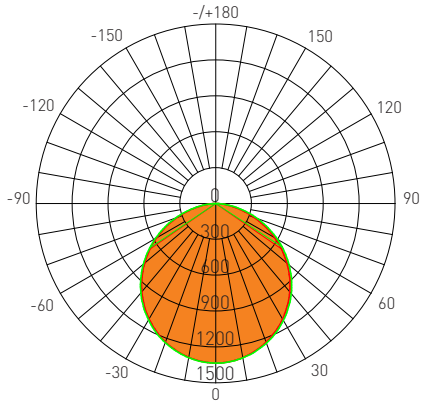


SLIM TROFFER

PQ-TROK

DISTRIBUTION DIAGRAMS

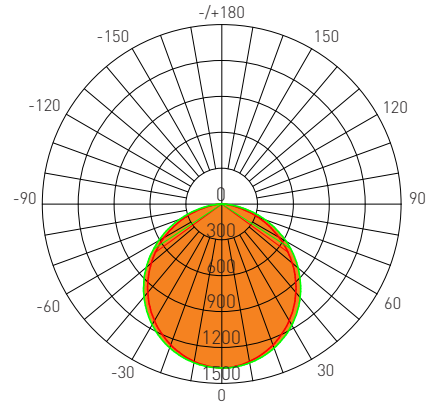
2'X2' / 3500K



AVERAGE BEAM ANGLE(50%): 111.7°

Test Number: TR22-DM-TWTS UNIT: cd
 Lumens: 3747.4 Lm — C0/180, 110.8°
 Watts: 33.80 W — C30/270, 112.6°
 LPW: 110.86 Lm/W
 CCT: 3500K

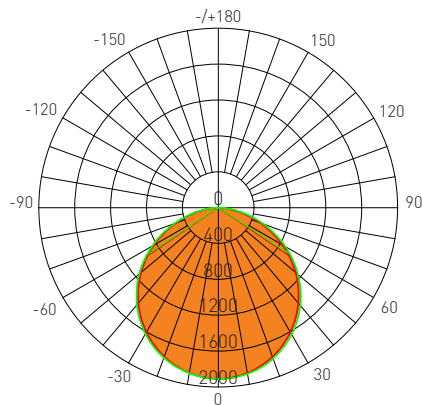
1'X4' / 3500K



AVERAGE BEAM ANGLE(50%): 110.8°

Test Number: TR14-DM-TWTS UNIT: cd
 Lumens: 3786.8 Lm — C0/180, 108.0°
 Watts: 33.72 W — C30/270, 113.7°
 LPW: 112.30 Lm/W
 CCT: 3500K

2'X4' / 3500K



AVERAGE BEAM ANGLE(50%): 112.5°

Test Number: TR24-DM-TWTS UNIT: cd
 Lumens: 5425.2 Lm — C0/180, 111.5°
 Watts: 48.74 W — C30/270, 113.6°
 LPW: 111.32 Lm/W
 CCT: 3500K