

OUTDOOR LED FULL CUT-OFF WALL PACK

PQ-WKDZ

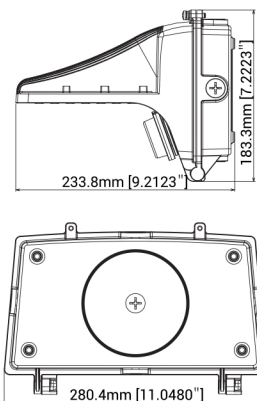
Light up your outdoor area with Power-Q's LED Full Cut-Off Wall Pack. It is a high efficiency, long-lasting and energy-saving lighting solution. The rugged housing offers advanced thermal management and protection against outdoor environments without compromising aesthetics.



SPECIFICATIONS

Input voltage	120-347V	CRI	RA >70
Customizable CCT	3000-4000-5000K or 2200-3000-4000K	IP Rating	IP65
Efficacy	130 lm/w (±10%)	Power Factor	≥0.90
THD	<20%	Frequency	50/60 Hz
Surge protection	L-N: 2KV L/N-PE: 4KV	Certification	cETL/ETL/DLC Premium
LED brand	Lumileds	Housing	Diecast aluminum
LED type	3030	Finish	Black/Bronze/Customized (optional)
Viewing angle	Type II / Type III / Type IV	Driver brand	Weled Power
Operating temperature	-30° to +45°C (-22°F to +113°F)	Additional functions	0-10V / 1-10V / Photocell/Microwave Motion Sensor/Power Adjustable/CCT Adjustable
Operating humidity	RH <90%	Lifetime	L70 @ 50,000 hrs
Storage temperature	-40° to +70°C (-40°F to +70°F)	Warranty	5 years
Storage humidity	RH <95%	Emergency power	4W, operating time 1.5 hrs, optional

DIMENSIONS



MODELS	3 WATTAGES SELECTABLE	LUMENS
PQ-WKDZ-CCTK-60TW-UNIV	40-50-60W	5200/6500/7800 lm
PQ-WKDZ-CCTK-120TW-UNIV	80-100-120W	10400/13000/15600 lm



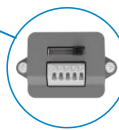
FULL CUTOFF WALLPACK

PQ-WKDZ

FEATURES

Photocell sensor optional.

Good heat dissipation, light weight, cost-effective and low transportation cost.



DIP switch, lower inventory risk

Plug and play Microwave Motion Sensor

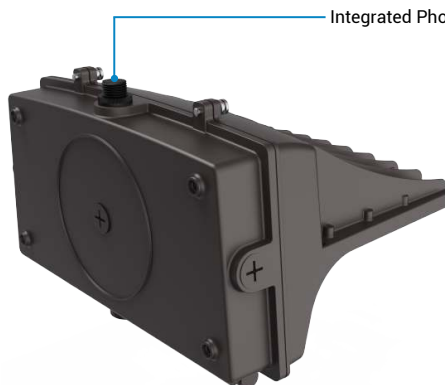
Plug-in Microwave Motion Sensor



Sharkward Sensor



Haisen / Sharkward Sensor



Integrated Photocell



Plug-in Haisen Photocell