

# FARM LIGHTING FIXTURES

## PQ-WPLC

The WPLC luminaires used in livestock farms are specially designed to meet essential lighting needs. They stand out for their ability to withstand demanding conditions, including water, dust, and corrosion. Moreover, these luminaires are made from materials with high fire resistance, significantly reducing the risk of fires in this agricultural environment. Their installation is also simplified, providing a practical lighting solution for livestock farms while contributing to animal welfare and farm safety.



### Key Features of LED Luminaires for High-Performing Livestock Farms:

- **Luminous Efficacy of 150 LM/W:** Provides energy-efficient operation and energy savings of up to 80%.
- **Robust Protection Against Shocks:** Equipped with Philips SMD2835 LEDs and an IK10 rating, ensuring resistance to severe impacts without damage.
- **Adaptability to Harsh Environmental Conditions:** Certified IP67 plastic housing and aluminum heat sink are perfectly suited for demanding environments, such as those encountered on a livestock farm.
- **Peace of Mind with a 5-Year Warranty:** Offers assurance of long-lasting and reliable performance to support agricultural activities.
- **Easy Installation:** Features a quick-mounting bracket with a hinge and a housing designed to simplify the installation process.

#### DYNAMIC MENU

- 1 PRODUCT NAMING
- 2 TECHNICAL SPECIFICATIONS
- 3 DIMENSION DETAIL

#### CERTIFICATIONS



| FARM LIGHTING FIXTURES |                         |           |                    |                             |                   |
|------------------------|-------------------------|-----------|--------------------|-----------------------------|-------------------|
| Model                  | Color Temperature (CCT) | Power (W) | Luminous Flux (Lm) | Input Voltage (V)           | Dimensioning (mm) |
| <b>PQ-WPLC</b>         | 051K = 5000K            | 30        | 4500               | 120 = 100-277 AC (Standard) | 193 * 106         |

# FARM LIGHTING FIXTURES

PQ-WPLC

## CHARACTERISTICS

### ELECTRICAL CHARACTERISTICS

|                           |                             |
|---------------------------|-----------------------------|
| Power (W)                 | 30                          |
| Input voltage (V)         | 120 = 100-277 AC (standard) |
| Frequency (Hz)            | 60                          |
| Power factor              | >0,90                       |
| Dimmable driver (V)       | 0-10                        |
| Total Harmonic Distortion | <20%                        |
| Surge Protection          | 10kV                        |

### OPTICAL CHARACTERISTICS

|                                   |                 |
|-----------------------------------|-----------------|
| Luminous Flux (Lm)                | 4200            |
| Color temperature(CCT)            | 051K = 5000K    |
| Initial Luminaire Efficacy (Lm/w) | 140             |
| Color Rendering Index (CRI)       | ≥ Ra 80         |
| Light Source                      | Philips SMD2835 |

### FIXTURE / CONSTRUCTION

|                  |                   |
|------------------|-------------------|
| Housing Material | Die-Cast Aluminum |
|------------------|-------------------|

### ENVIRONMENTAL

|                       |              |
|-----------------------|--------------|
| Operating Temperature | -25 to +40°C |
| IP Rating             | IP66         |
| IK Rating             | IK09         |
| Storage Temperature   | -40 to +85°C |

### CERTIFICATIONS

|                |                  |
|----------------|------------------|
| Certifications | DLC/ROHS/CE/CELT |
|----------------|------------------|

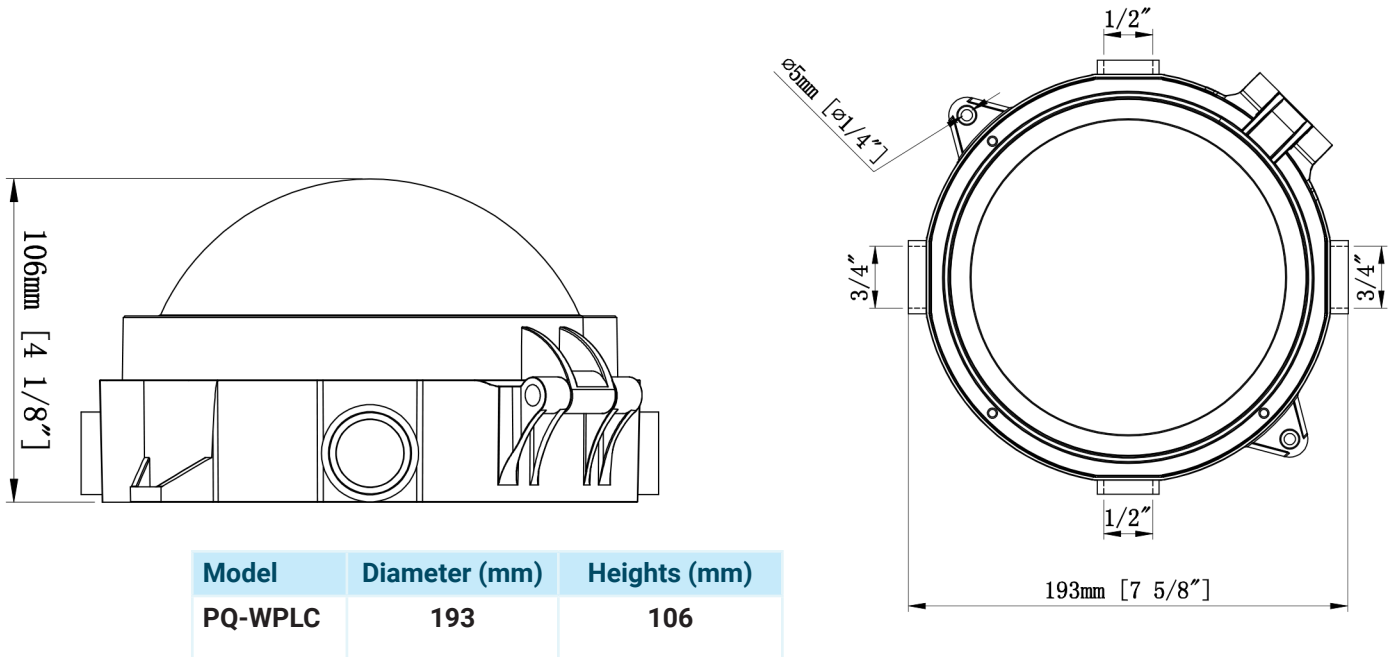
### WARRANTY / LIFESPAN

|          |       |
|----------|-------|
| Warranty | 5 ans |
|----------|-------|

# FARM LIGHTING FIXTURES

PQ-WPLC

## DIMENSIONS



## Lighting Suitable for a Variety of Contexts

- ▶ Livestock farms: "Lighting suitable for livestock farms."
- ▶ Industrial facilities: "The ideal lighting for industrial facilities."
- ▶ Food processing facilities: "Luminaires designed for food processing environments."
- ▶ Government installations: "Reliable lighting for government installations."
- ▶ Public spaces: "Safe lighting for public spaces."
- ▶ Kitchens: "Luminaires for well-lit kitchens."
- ▶ Parking garages: "Efficient lighting for underground parking garages."
- ▶ Car wash stations: "Luminaires suited for car wash stations."
- ▶ Schools: "Optimal lighting for classrooms."

## GUIDE TO PLACING AN ORDER

Catalog Number as an Example: PQ-WPLC-051K30W-120V-30D-

| Serie   | Color temperature(CCT) | Power (W) | Input voltage(V)            | Options                 |
|---------|------------------------|-----------|-----------------------------|-------------------------|
| PQ-WPLC | 051K = 5000K           | 30        | 120 = 100-277 AC (Standard) | The wall<br>The ceiling |