

# SPORT LIGHT

## PQ-SPL

“SPL,” which stands for “Sports Lighting System with Waterproof Protection,” is a high-performance and robust lighting equipment designed to meet the lighting needs in demanding environments such as sports fields, high structures, and port areas. It distinguishes itself with innovative features, including high-brightness LED chips, a heat sink, and a high-efficiency constant current or constant voltage driver.

### Main Key Points:

- **Waterproof Protection IP66:** Provides strong defense against water and weather conditions.
- **Efficient Heat Dissipation:** Extends the lifespan of luminaires through heat sinks and a rear cooling cover.
- **5-Year Warranty:** Ensures the durability and reliability of the equipment.
- **Modular Design:** Simplifies maintenance with easy assembly and disassembly.
- **Anti-Corrosion Coating:** Protects against the harmful effects of corrosion and oxidation.
- **Beam Angle Options:** Allow for versatile use in various spaces.
- **Adjustable Color Temperature:** Customize the lighting ambiance according to needs.
- **Optional Laser Aiming Device:** Enables precise targeting for optimal orientation.



### DYNAMIC MENU

- 1 PRODUCT NAMING
- 2 SYSTEM TOPOLOGY
- 3 COMPREHENSIVE TECHNICAL SPECIFICATIONS
- 4 DIMENSION DETAILS
- 5 PHOTOMETRIC ANALYSIS
- 6 INSTRUCTIONS FOR ORDERING WITH PREFERRED DIMENSIONS

### CERTIFICATIONS



### SPORT LIGHT

MODEL	Color Temperature (CCT)	Power (W)	Luminous Flux (Lm)	Dimensions (Inches), (with internal regulator)	Input Voltage (V)
PQ-SPL	031K = 3000K	300 / 400 / 500 / 600	45 000 / 60 000 / 750 000 / 90 000	500 * 405 * 355	120 = 100-277 AC (Standard) 347 = 347-480 AC Optionnel
	041K = 4000K				
	051K = 5000K	750 / 1000 / 1200 / 1250	97 000 / 30 000 / 156 000 / 162 500	635 * 520 * 515	
	057K = 5700K				
	065K = 6500K				

# SPORT LIGHT

PQ-SPL



## Advanced Sports Lights

The SPL, a part of our LED sports lighting range, incorporates high-brightness LED chips made of polycarbonate (PC) to ensure optimal luminous efficiency. It also features a high-purity cold-forged aluminum heat sink. This combination significantly contributes to the overall efficiency of the SPL, which is recognized for its robustness and excellent energy efficiency. With nearly 93% of electrical energy converted into light, it promotes optimal energy use, reduces power consumption, and extends the life of luminaires.

## Elegant and Durable Luminaire

The exclusive housing design promotes faster heat dissipation, ensuring the luminaire's durability. The design integration brings an elegant aesthetic to the luminaire. Furthermore, this luminaire is resistant to water, dust, and corrosion.



## Laser Targeting Devices (Optional)

The laser targeting system allows for precise control to adjust the orientation and precise targeting of each sports light to its optimal position.

## The Bracket

By manipulating the bracket, it is possible to adjust the luminaire's tilt within a range of 0 to 240 degrees



## The Visor

The visor provides three-dimensional lighting while reducing glare.

# SPORT LIGHT

PQ-SPL

## TECHNICAL SPECIFICATIONS

### ELECTRICAL CHARACTERISTICS

Power (W)	300/400/500/600	720/800/1000/1200
Input Voltage (V)	120 = 100-277 AC (Standard) 347 = 347-480 AC Optional	
Frequency (Hz)	50-60	
Power factor	0,95	
LED energy efficiency	0,93%	
Electrical class	Class I	
Inrush current duration (ms)	1.43	
Dimmable Driver (V)	1-10	
Standby Mode	=<0,5 W	
Total Harmonic Distortion	<15%	
Surge Protection	10kV	

### OPTICAL CHARACTERISTICS

Luminous Flux (Lm)	45 000 / 60 000 / 75 000 / 90 000	97 000 / 130 000 / 156 000 / 162 500
Initial Luminaire Efficacy (Lm/w)	150	130
Optics	15° / 30° / 40° / 60°	15° / 20° / 25° / 40° / 60° / 80°
Light source	SMD5050	
Color Temperature (CCT)	3000K, 4000K, 5000K, 5700K, 6500K	
Color Rendering Index (CRI)	>Ra70	
System Efficiency	>0,90%	

### ENVIRONMENTAL

Température de fonctionnement (°C)	-30 to +45
IP rating	IP66
IK rating	IK08

### CONSTRUCTION / LUMINAIRE

Housing finish	Aluminium
Housing material	Aluminium
50° Optics	
120° Optics	High-Transmission Tempered Glass
Power cable	2 m
Orientation	Rotating Bracket Installation and Wall Mount Installation
Dimension (Inches) Based on Luminaire Power	500 * 405 * 355 635 * 520 * 515
Lens material	Polycarbonate (PC)

### CERTIFICATIONS

Certifications	CE, cETL, DLC, SAA
Quality Assurance	ISO 9001

### GWARRANTY / LIFESPAN

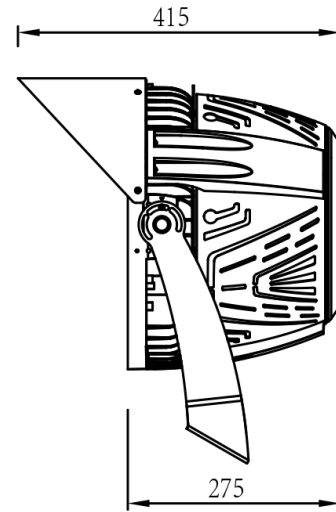
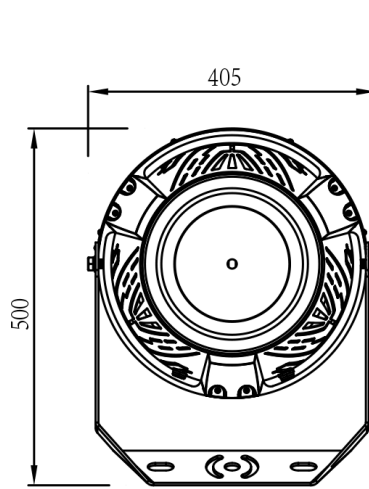
Garantie	5 ans
----------	-------

# SPORT LIGHT

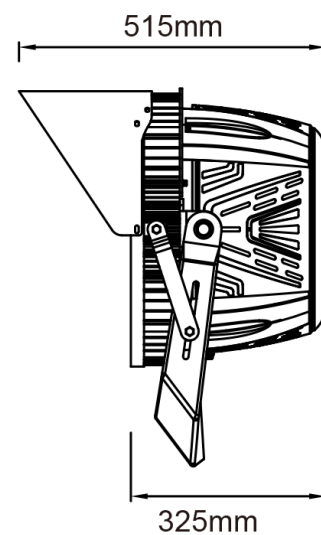
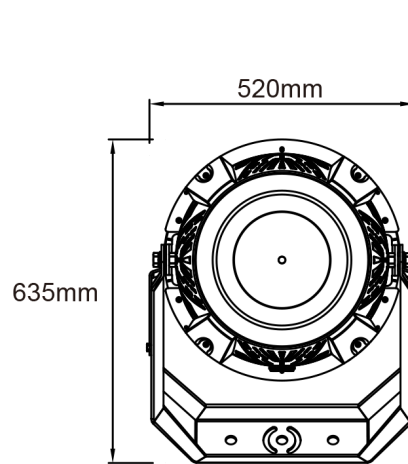
PQ-SPL

DIMENSIONS (MM)

300W-400W-500W-600W



750 W -1000W-1200W-1250W

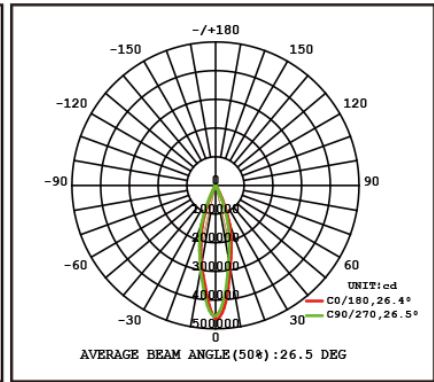
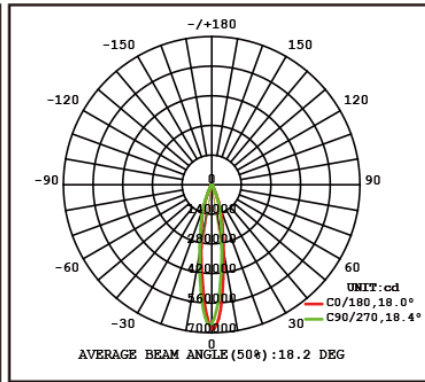
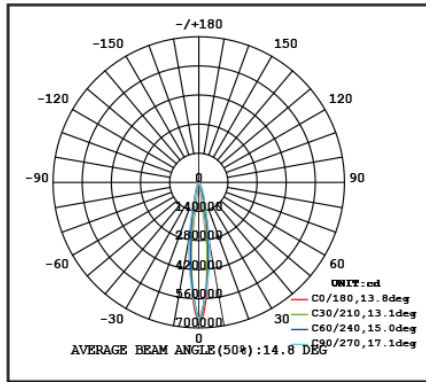


# SPORT LIGHT

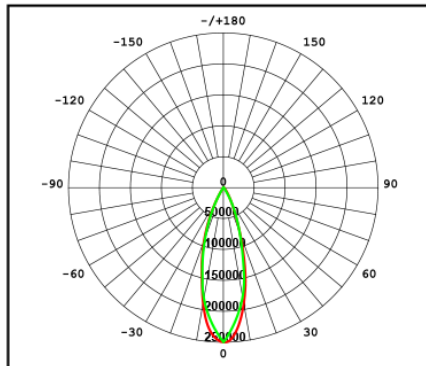
PQ-SPL

## PHOTOMETRY

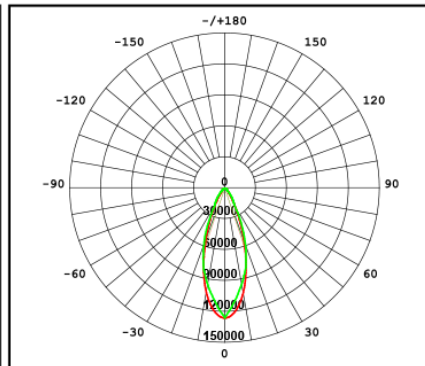
30°~80° Optional



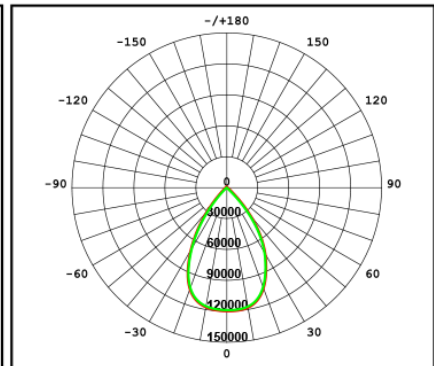
15deg



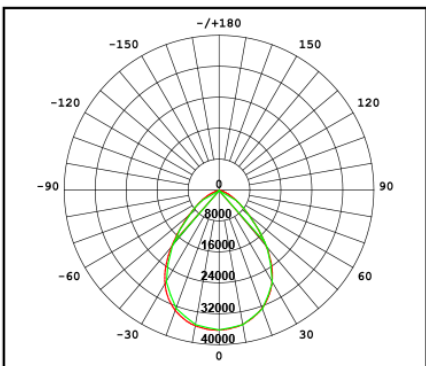
20deg



25deg



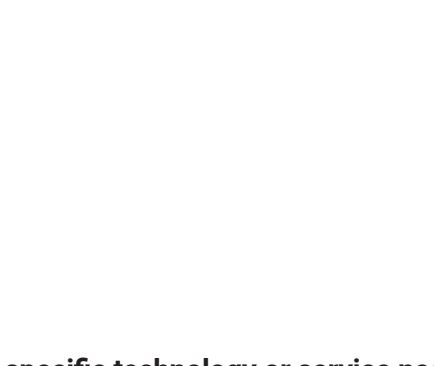
30deg



40deg



60deg



80deg

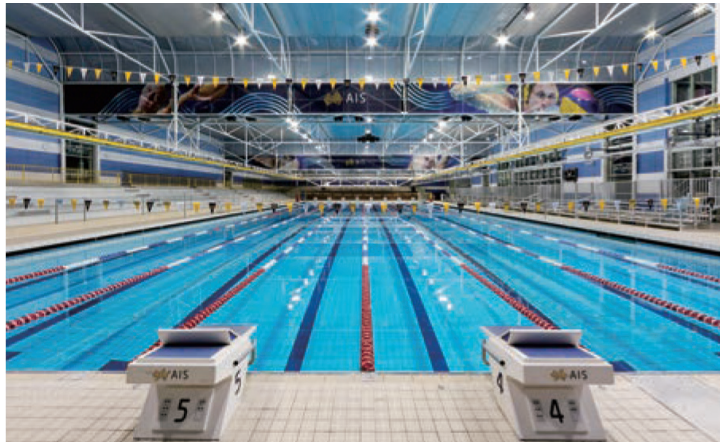
If you have specific technology or service needs, it's highly recommended that you get in touch with Power-Q's experts. They can provide tailored solutions and guidance based on your specific requirements.

EMAIL: [info@power-q.ca](mailto:info@power-q.ca)

PHONE: 514 667-6810

# SPORT LIGHT

PQ-SPL



## INSTRUCTIONS FOR ORDERING WITH PREFERRED DIMENSIONS

Catalog Number for Example: PQ-SPL-065K-1250W-347V-00D-D

Series	Color Temperature (CCT)	Power (W)	Input Voltage (V)	Options
PQ-SPL	031K = 3000K 041K = 4000K 051K = 5000K 057K = 5700K 065K = 6500K	300 400 500 600 750 1000 1200 1250	120 = 100-277 AC (Standard) 347 = 347-480 AC Optional	Empty = Support U RB = Rotating Bracket