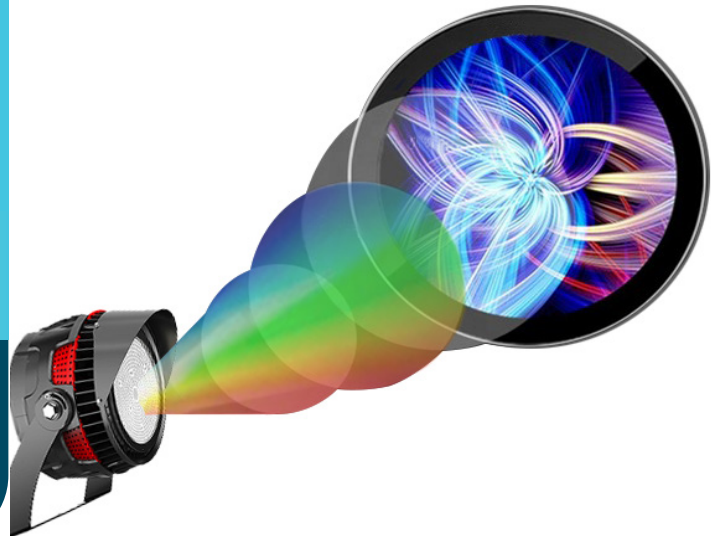


SPORT LIGHT

PQ-SPL2



The SPL2 floodlight designates a highly performing outdoor lighting solution, specially designed for high-ceiling environments and expansive spaces. It is characterized by its exceptional energy efficiency, reduced maintenance costs, and superior light quality.

Key Takeaways :

- **Energy Efficiency:** Featuring optimized energy consumption, it helps reduce electricity consumption while maintaining high-quality lighting performance.
- **Variety of Wattages:** Available in a range of wattages from 300W to 1800W.
- **Proven Durability:** Successful vibration tests, compliant with IEC/EN standards, demonstrate its resilience and reliability even in demanding conditions
- **Suited for High Ceilings:** Specifically designed for high-ceiling spaces, this lighting solution is ideal for illuminating large elevated areas.
- **Cost Optimization:** Its robust design leads to reduced maintenance costs, ensuring a cost-effective long-term solution.
- **Superior Light Quality:** The SPL2 floodlight ensures exceptional light quality for optimal visibility in illuminated areas. The SPL2 sports luminaire stands out with its wireless control via DALI, DMX512, and RDM, as well as the RGB/RGBW color option, providing an advanced and versatile solution for sports lighting.

Dive into a lighting revolution with the SPL2 floodlight. Custom-tailored for high-ceiling spaces, the SPL2 stands out with exceptional technological innovation that delivers extraordinary light quality across a range of captivating colors: from red to green, blue, and white. Combined with exceptional durability and exemplary energy efficiency, this device completely transforms your perspective on outdoor lighting thanks to the unmatched power of the SPL2.

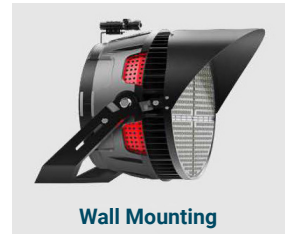
DYNAMIC MENU

- 1 PRODUCT NAMING
- 2 SYSTEM TOPOLOGY
- 3 COMPREHENSIVE TECHNICAL SPECIFICATIONS
- 4 DIMENSION DETAILS
- 5 DIMENSIONS INCLUDING THE BRACKET
- 6 WIND RESISTANCE ASSESSMENT VIA EPA MEASUREMENT
- 7 PHOTOMETRIC ANALYSIS
- 8 INSTRUCTIONS FOR ORDERING WITH PREFERRED DIMENSIONS
- 9 MODERNIZATION AND INSTALLATION GUIDELINES

CERTIFICATIONS



Rotating Bracket Mounting



Wall Mounting

SPORT LIGHT

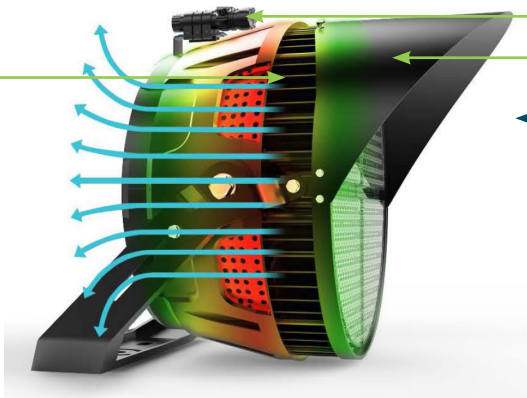
MODEL	Color Temperature (CCT)	Power (W)	Luminous Flux(Lm)	Dimensions (Inch), (with internal regulator)	Input Voltage (V)
PQ-SPL2	031K = 3000K 041K = 4000K 051K = 5000K 057K = 5700K 061K = 6500K	300/400/500/600	45,900-93,000	20.27x16.34x15.75	AC100-277 (Standard) 347-480 Optional
	RGB	720/800/1000/1200	106,560-162,000	25.00x21.06x18.31	
	RGBW	1500/1600/1800	148,000-243,000	32.28x29.53x20.67	

SPORT LIGHT

PQ-SPL2

EFFICIENT HEAT MANAGEMENT:

The pressure-cast heat sink ensures exceptional thermal conductivity, extending the lifespan while conserving energy and the environment. Efficient heat dissipation helps prolong the longevity of the lamps, maintaining optimal performance.



LASER TARGETING DEVICE (OPTIONAL):

Allows for precise positioning and directs each sports light to the optimal position.

VISOR:

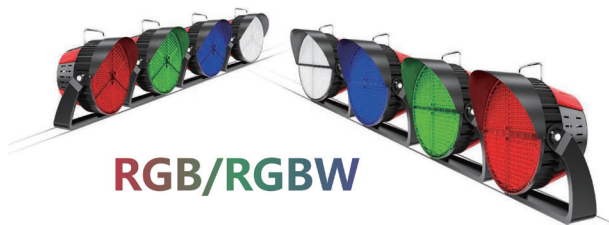
Provides three-dimensional lighting while minimizing glare.



CONTROL SYSTEM:

The innovative management system is characterized by real-time broadcasting via wireless data transmission, offering exceptional flexibility to adjust colors and dimming. Simultaneously, it enables real-time monitoring of operational status and performance.

Furthermore, this solution stands out for its easy installation thanks to an adjustable beam angle of up to 240 degrees. This feature ensures optimal adaptation to your needs while simplifying the installation process



Output Current Adjustment (OCA) via NFC



Autonomous Operation of Each Component



Lifespan 50,000 hours



Excellent Heat Dissipation



Cold-forged Aluminum Housing Anti-corrosion Polyester Coating



Significant Energy Savings



Simplified Installation and Convenient Mounting

SPORT LIGHT

PQ-SPL2

ELECTRICAL CHARACTERISTICS

Power (W)	300/400/500/600	720/800/1000/1200	1500/1600/1800
Input Voltage (V)	AC100-277 (Standard), 347-480 Optional		
Frequency (Hz)	50-60		
Power Factor	> 0,95		
Electrical Class	Class I		
Inrush Current Duration (t)	1		
Dimmable Driver (V)	1-10		
Standby Mode	=<0,5 W		
Total Harmonic Distortion (THD)	<15%		
Overvoltage Protection	10kV (Standard) / 20kV (Optional)		

OPTICAL CHARACTERISTICS

Luminous Flux (Lm)	45,900-93,000	1106,560-162,000	148,000-243,000
Initial Luminaire Efficacy (Lm/w) Ra70	170/165/160/155	165/160/150/135	165/155/145/140/135
Initial Luminaire Efficacy (Lm/w) Ra80	153/148/144/140	148/144/135/120	148/140/130/126/121
Light Source	15° = SMD 2835 and ≥20° = SMD5050		
Color Temperature (CCT)	3000K, 4000K, 5000K, 5700K, 6500K		
Color Rendering Index (CRI)	Ra70/Ra80 (Optional)		
Optics	15°, 30°, 45°, 60°, 80°		

ENVIRONMENTAL

Operating Temperature (°C)	-30 to +50
IP Rating	IP66
IK Rating	IK09
Deployment Application	High-Temperature Environments

CONSTRUCTION / LIGHTING FIXTURE

Housing Finish	UV-Stabilized Powder Coating
Housing Material	Cold-Forged Aluminum (AL1050)
Optics 50°	PMMA
Optical Cover 120°	High Transmission Tempered Glass
Power Cable	2 m
Installation Orientation	Rotating Bracket Mounting and Wall Mounting
Dimensions (Inches)	20.27x16.34x15.75
Based on Lighting Fixture Wattage	25.00x21.06x18.31 32.28x29.53x20.67
Intelligent Controller	DMX512/RDM/DALI

CERTIFICATIONS

Certifications	CE, cETL, DLC, SAA
Quality Assurance	ISO 9001, ISO 4001

WARRANTY / LIFETIME

Warranty	5 years
----------	---------

SPORT LIGHT

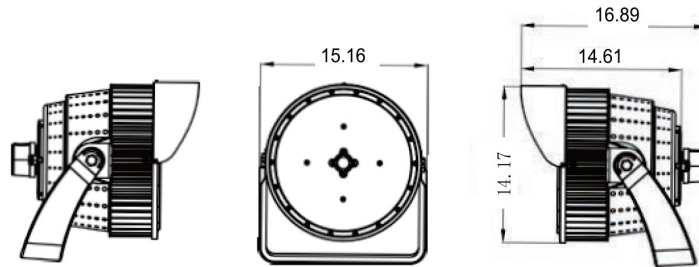
PQ-SPL2

DIMENSIONS (INCHES)

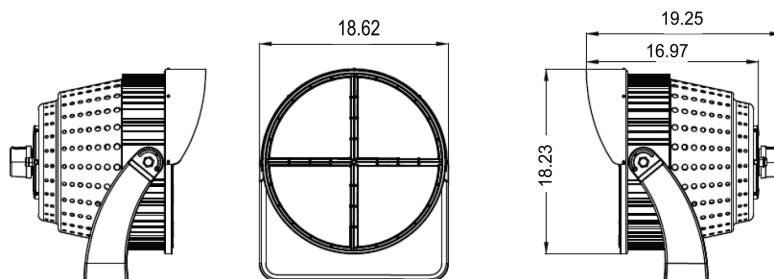
SPL2



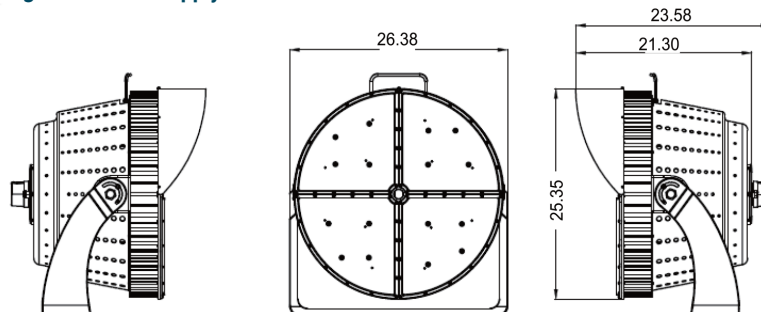
Integrated Power Supply: 300-600W



Integrated Power Supply: 720-1200W



Integrated Power Supply: 1500-1800W

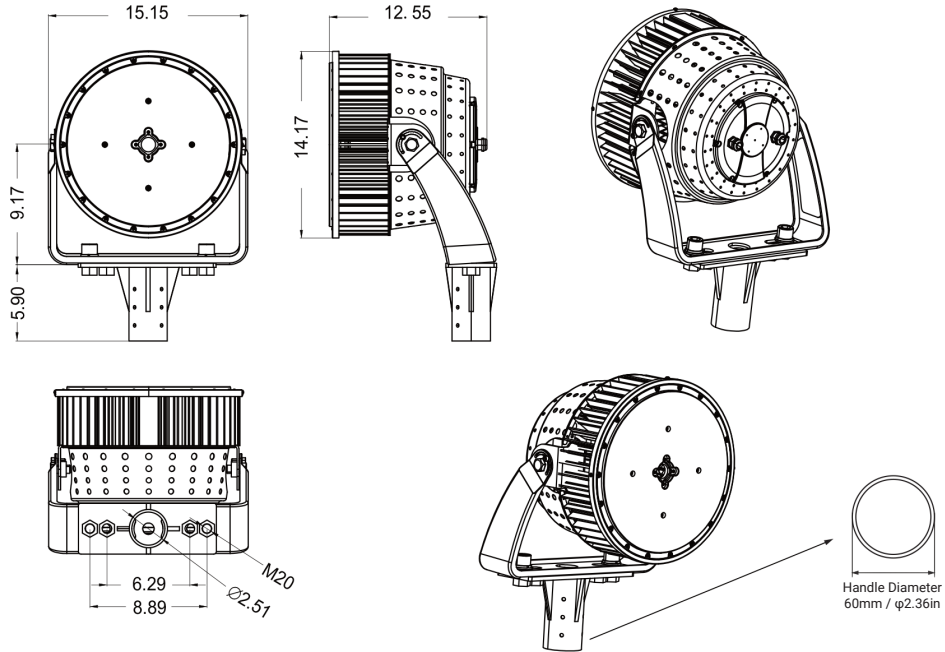


SPORT LIGHT

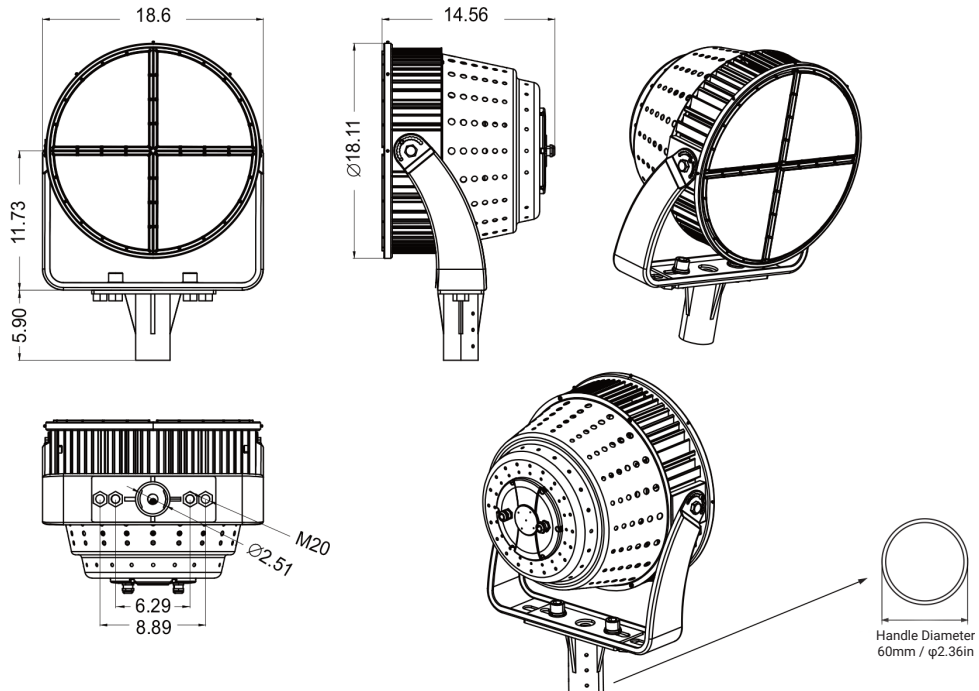
PQ-SPL2

DIMENSIONS (INCHES) WITH BRACKET (WITHOUT VISOR)

300-600W



720-1800W



SPORT LIGHT

PQ-SPL2

DIMENSIONS

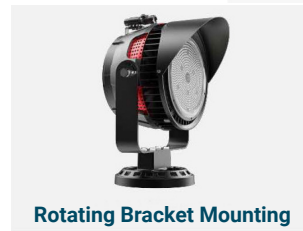
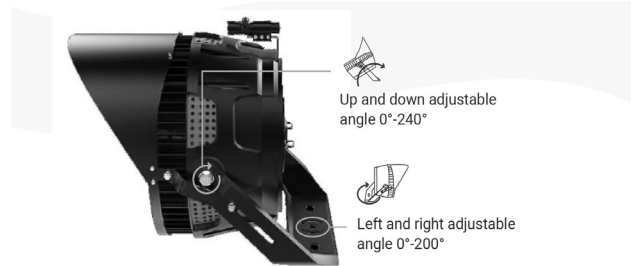
The Revolutionary Semiconductor System: Pushing the Boundaries of Lighting:

DESIGN:

This innovative solution ensures the durability of the LED chip through a distinctive SSD design, allowing for the reduction of each component. Each of these parts is characterized by its uniqueness, strength, and exceptional resilience.

LIGHT PERFORMANCE AND ENERGY SAVING:

Thanks to highly efficient photoelectric conversion, this innovation saves energy while producing exceptional brightness even at low voltage. Its state-of-the-art circuit system ensures perfect harmony with other systems, eliminating electrical interference through ultra-low EMI noise generation. A technological advance that combines economy and performance for uncompromising lighting experience.



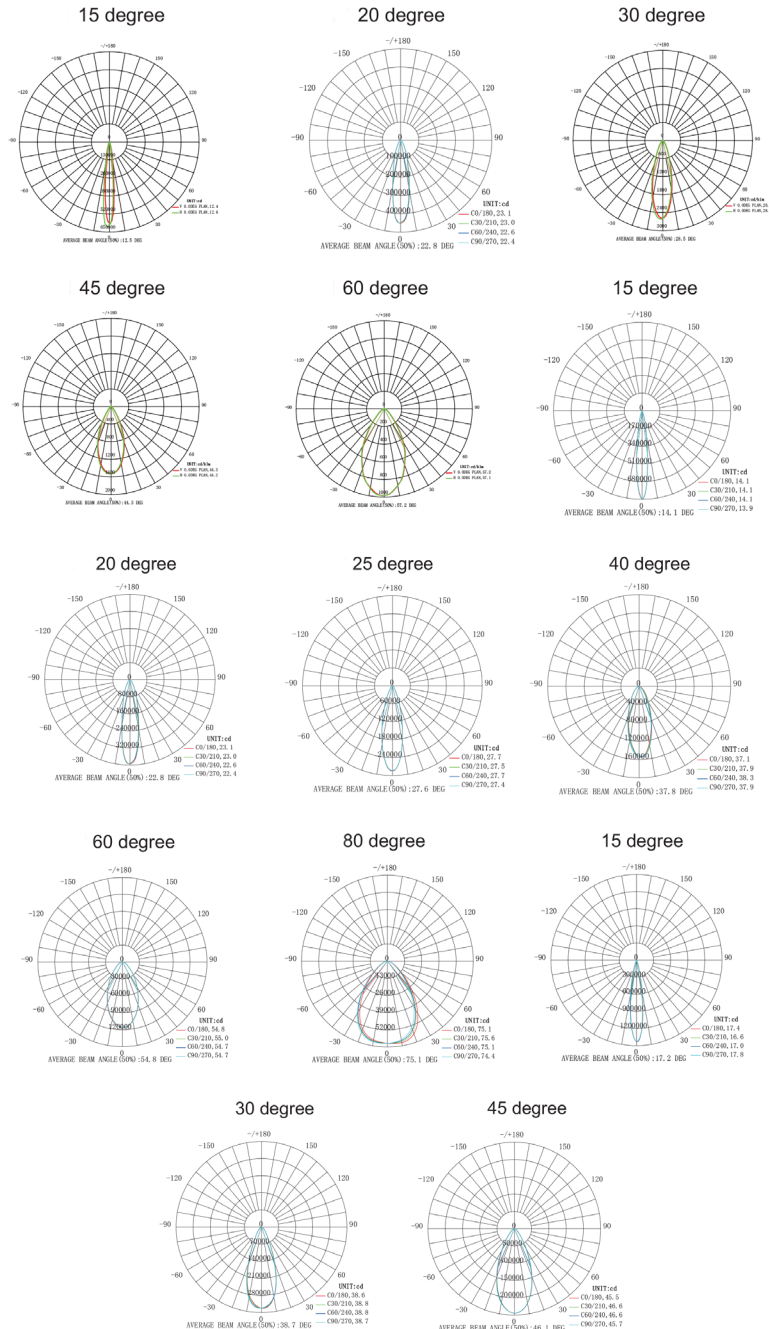
EPA: WIND RESISTANCE

300-600W		720-1200W		1000-1800W	
EPA: 1.25	EPA: 1.16	EPA: 2.01	EPA: 1.72	EPA: 4.03	EPA: 2.79
EPA: 1.57		EPA: 1.97		EPA: 3.59	

SPORT LIGHT

PQ-SPL2

PHOTOMETRY



If you have specific technology or service needs, it's highly recommended that you get in touch with Power-Q's experts. They can provide tailored solutions and guidance based on your specific requirements.

EMAIL: info@power-q.ca

PHONE: 514 667-6810

SPORT LIGHT

PQ-SPL2



INSTRUCTIONS FOR ORDERING WITH PREFERRED DIMENSIONS

Catalog Number for Example: PQ-SPL2-051K-1000W-347V-030D-D

Series	Color Temperature (CCT)	Power (W)	Input Voltage (V)	Options
PQ-SPL2	031K = 3000K 041K = 4000K 051K = 5000K 057K = 5700K 061K = 6500K RGB RGBW	300 400 500 600 720 800 1000 1200 1500 1600 1800	120 = 100-277 AC (Standard) 347 = 347-480 AC Optional	Empty = Support U RB = Rotating Bracket

SPORT LIGHT

PQ-SPL2

Explore the revolutionary breakthroughs offered by SPL2 luminaires, which transform outdoor lighting through their innovative integration of RGBW technology.

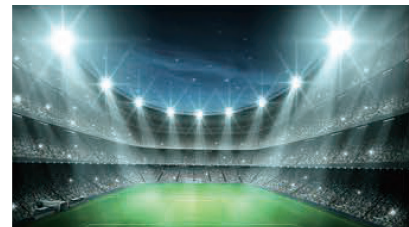
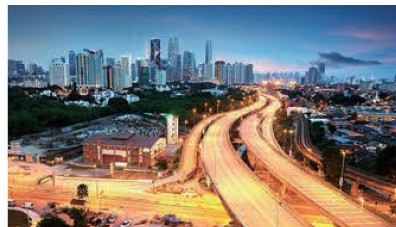
Desjardins Stadium City of Thetford Mines, Quebec



A notable project that illustrates their exceptional adaptability is the **initiative led by Power-Q at Desjardins Stadium in Thetford Mines, Quebec**. In this impressive achievement, Power-Q skillfully installed 75 SPL2 luminaires, carefully positioned at an imposing height of 82 feet. This implementation creates striking illumination while remaining environmentally friendly thanks to its energy efficiency. The specific layout of the stadium seamlessly integrates with the advanced technology of the SPL2 luminaires, highlighting Power-Q's distinctive expertise in outdoor lighting.



The SPL2 Lighting Fixture in Action: Versatility in Various Outdoor Lighting Contexts



- Sports Sector (Stadiums, Sports Facilities)
- Paper Industry (Paper Mills)
- Logistics (Container Loading Zones, Ship Loading Zones, Airports)
- Urban Lighting (High-Mast Lighting for Roads, Parking Lots, Railway Network, Ports, Public Squares)
- Industrial Sector