

LIGHTING LINEAR LED

PQ-LIE-2-4-8

Improve your lighting installations with this linear LED luminaire. It offers dimmable lighting from 0 to 10V. Use the PQ-LIE for all your projects: shopping malls, offices, schools, showrooms, airports, retail stores, healthcare facilities, and easily enhance the convenience of your space.



LIGHTING LINEAR LED

MODEL	Color Temperature (CCT)	Power (W)	Luminous Flux (Lm)	Dimensions	Input voltage (V)
LIE2	035K = 3500K 041K = 4000K 051K = 5000K	20	2600	2 feet	100-347AC = UNIV
LIE4		20 / 30 / 40	2600 / 3900 / 5200	4 feet	
LIE8		40 / 60 / 80 60 / 80 / 100 (on order)	5200 / 7800 / 10400 7800 / 10400 / 13000	8 feet	

CERTIFICATIONS



LIGHTING LINEAR DEL

PQ-LIE



LIE2



LIE4



LIE8

The key features of the LTE-LIE linear luminaire are as follows:

- Featuring an adjustable white color temperature: 3500K, 4000K, and 5000K
- Adjustable power to meet different customer demands.
- Dimmable from 0 to 10V
- Aluminum heat sink for efficient heat dissipation.
- Diffusers are extruded from modified acrylic for increased durability.
- High efficiency: 130 Lm/w, DLC premium approved.
- Available in lengths of 2 feet, 4 feet, and 8 feet.
- For single or continuous row mounting.
- Connectable: with an included wiring connection kit to connect the power between luminaires.
- Surface or suspension mounting option.

LIGHTING LINEAR DEL

PQ-LIE

ELECTRICAL CHARACTERISTICS

Power (W)	20 / 30 / 40 / 60 / 80 / 100
Input Voltage (V)	100-347AC
Frequency (Hz)	50 / 60
Power Factor	> 0.90
Dimmable	0-10V

OPTICAL CHARACTERISTICS

Luminous flux (Lm)	2600 / 3900 / 5200 / 7800 / 10400 / 13000
Initial luminaire efficacy (Lm/w)	130
Color temperature (CCT)	3500K / 4000K / 5000K
Beam angle	120°
Color Rendering Index- CRI	85

FIXTURE CONSTRUCTION

Support material	Aluminum heat sink
Installation	Surface or suspended
Dimensions (in feet)	2 / 4 / 8

ENVIRONMENTAL

Operating temperature (°C)	-25 to +45 (-13°F to +113°F)
IP rating	IP20
Installation/application	For indoor use only

CERTIFICATIONS

Certifications	cETLus / DLC Premium
-----------------------	----------------------

WARRANTY / LIFESPAN

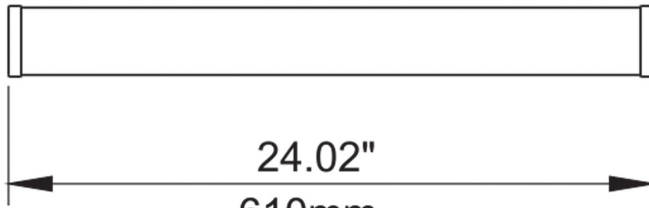
Warranty	5 years
Lifespan	50,000+ hrs

LIGHTING LINEAR DEL

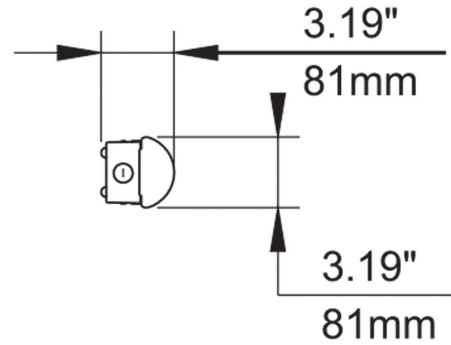
PQ-LIE

DIMENSIONS

Model: LIE2

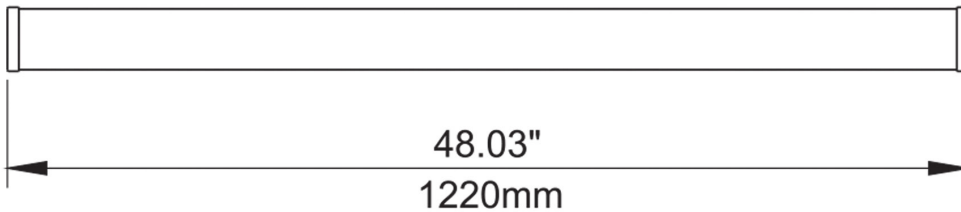


front view

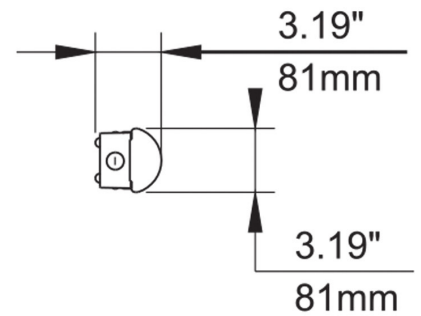


side view

Model: LIE4

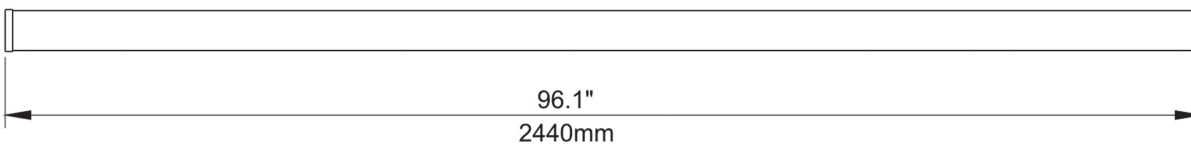


front view

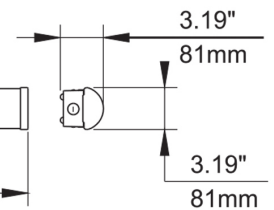


side view

Model: LIE8



front view



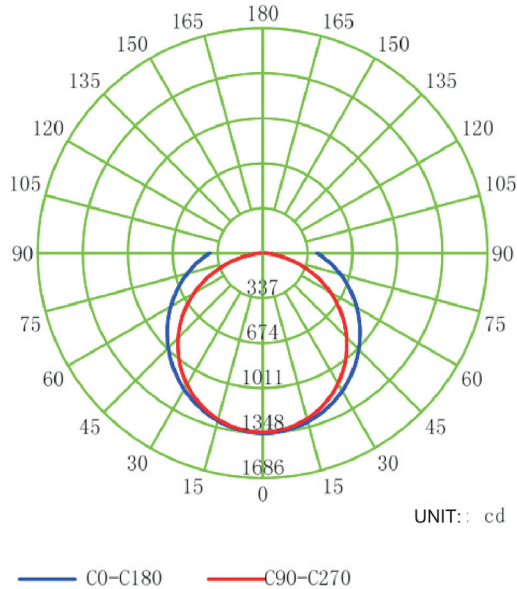
side view

LIGHTING LINEAR DEL

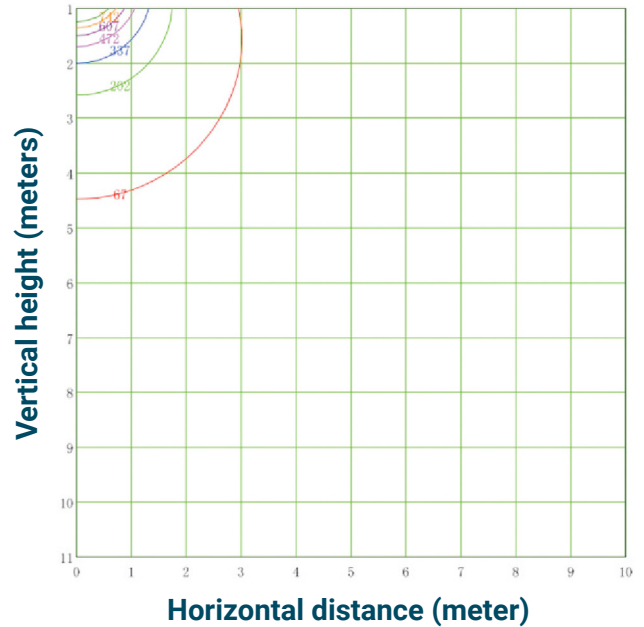
PQ-LIE

PHOTOMETRY

Intensity distribution diagram



Vertical isoluminant curve



MINIMUM ALTITUDE 1.0 M
MAXIMUM ALTITUDE 11.0 M
MAXIMUM ILLUMINATION 1348.7 lx

- (5%): 67.4 lx
- (25%): 337.2 lx
- (45%): 606.9 lx
- (65%): 876.7 lx
- (15%): 202.3 lx
- (35%): 472.0 lx
- (55%): 741.8 lx

INSTRUCTIONS FOR ORDERING WITH PREFERRED DIMENSIONS

Catalog Number for Example: PQ-LIE4-CCTK-040TW-UNIV-S

Series	Color Temperature (CCT)	Power (W)	Input Voltage (V)	Options Occupancy Sensor
LIE2	035K = 3500K 041K = 4000K 051K = 5000K } CCTK	20	100-347AC = UNIV	With = S Without = Blank
LIE4		20-30-40 (TW)		
LIE8		40-60-80 (TW) 60-80-100 (TW)		

If you have specific technology or service needs, it's highly recommended that you get in touch with Power-Q's experts. They can provide tailored solutions and guidance based on your specific requirements.

EMAIL: info@power-q.ca

PHONE: 514 667-6810