

# LED DOUBLE DOWNLIGHT

## PQ-DWLDT2

- Adjustable type
- 50,000 hours lifespan
- 0-10V Dim
- With driver junction box



### LED DOUBLE DOWNLIGHT

MODEL	POWER (W)	LUMEN (lm)	INPUT VOLTAGE (V)	DIMENSIONS (mm)
PQ-DWLDT2	2 * 15	2200	100-277AC	210*115*102

### CERTIFICATIONS



# LED DOUBLE DOWNLIGHT

PQ-DWLDT2

## SPECIFICATIONS

Input Voltage	100-277V
Power	2 x 15W
Color Temperature Adjustable CCTK	2700K / 3000K / 4000K / 5000K / 6000K
Lumen	2200 lm
Beam Angle	15° / 24° / 36° / 60°
Dimmable	0-10V / Triac & Dali (optional)
Ra	>90
UGR	<19
Lifespan	50,000 hrs
Dimensions	210mm * 115mm * 102mm
Housing Color	White or Black
Inner Ring Color	Black
Material	PC + Aluminum
Certifications	ETL
Warranty	5 years

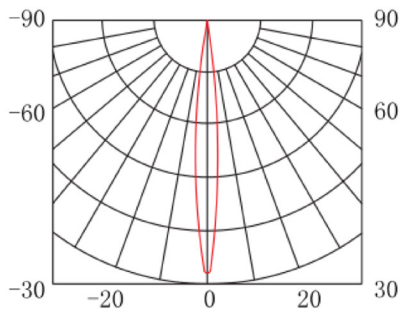
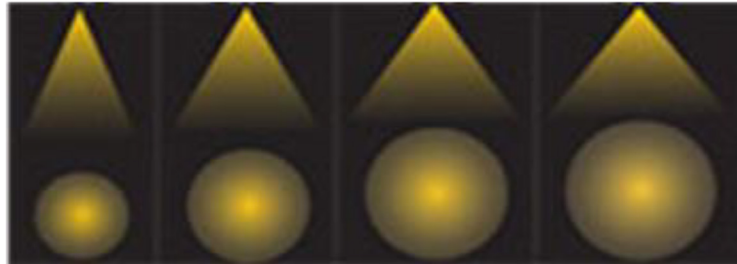


# LED DOUBLE DOWNLIGHT

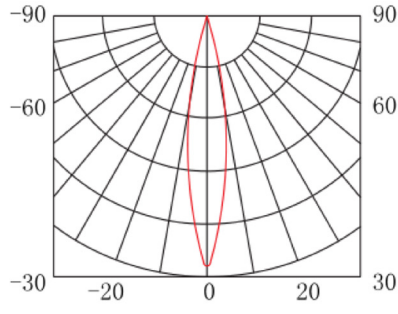
PQ-DWLDT2

## LUMINOUS INTENSITY DISTRIBUTION DIAGRAM

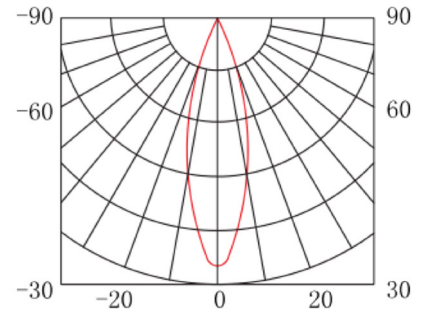
**15°      24°      36°      60°**



1m	5186 ±5 lx	33.29cm
2m	1250 ±5 lx	66.58cm
3m	535 ±5 lx	99.87cm
4m	307 ±5 lx	133.16cm
5m	190 ±5 lx	166.45cm



1m	3695 ±5 lx	37.07cm
2m	857 ±5 lx	74.14cm
3m	354 ±5 lx	111.2cm
4m	210 ±5 lx	148.27cm
5m	137 ±5 lx	185.33cm



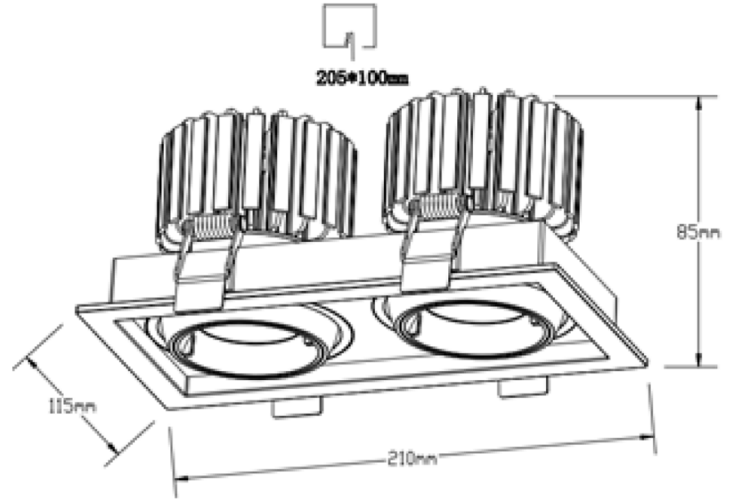
1m	1670 ±5 lx	71.02cm
2m	437 ±5 lx	142.04cm
3m	190 ±5 lx	213.06cm
4m	108 ±5 lx	284.08cm
5m	73 ±5 lx	355.1cm



# LED DOUBLE DOWNLIGHT

PQ-DWLDT2

## DIMENSIONS



## STRUCTURE



## APPLICATION

