

SPORT LIGHT

PQ-SPLF

LED Stadium Light
400W / 460W / 600W / 750W / 960W



Features of SPLF

- The SPLF is the perfect solution for your exterior sports lighting needs. It features a high output and high efficiency LED flood light that is designed to minimize glare without compromising performance. Its unique optical design makes it suitable for a variety of flood distributions, including large areas, port and rail centers, and exterior sports. With its superior performance and versatile design, the SPLF is the ideal choice for anyone looking for reliable and efficient exterior sports lighting.
- **Exceptional Impact Resistance:** IK10, Passed 3G Shock Resistance Test.
- **Modular Design:** Modular construction, hassle-free upkeep.
- **Light Visor Optional:** Anti-glare Design, control light pollution.
- **Flexible Installation:** 4 Installation Methods Optional, Flexible adaptation to installation scenarios.
- **Professional Optic Design For Sports:** Multiple light distribution options available, professional simulation design.
- **Optimized Bracket:** With a dial gauge, precise adjustments can be made during installation.

CERTIFICATIONS



SPORT LIGHT			
MODEL	Color Temperature (CCT)	Power (W)	Input Voltage (V)
PQ-SPLF	3000K	400	120V = 100-277AC 347V = 277-480AC
	4000K	460	
	5000K	600	
	5700K	750	
	6500K	960	

SPORT LIGHT

PQ-SPLF

ELECTRICAL SPECIFICATIONS

Model	PQ-SPLF				
Power	400W	460W	600W	750W	960W
Input voltage	100-277VAC 277-480VAC (optional)				
THD	<20%				
Power factor	>0.90				
UGR	<19				
Control option	DALI, 1-10V/ PWM / timer dimming, Nema, Zhaga, Photocell.				
Operating temperature	-40°C to 50°C (-40°F to 122°F)				
Driver brand	Inventronic				
Surge protection	10kV / 20kV optional				

PHOTOMETRIC SPECIFICATIONS

PQ-SPLF		400W	460W	600W	750W	960W
Efficacy (lm/W, Std. Dev. ±5%) CRI 70Ra, 4000K	15D	144 Lm/W	140 Lm/W	140 Lm/W	143 Lm/W	140 Lm/W
	30D	166 Lm/W	160 Lm/W	160 Lm/W	148 Lm/W	145 Lm/W
	60D	169 Lm/W	160 Lm/W	163 Lm/W	150 Lm/W	147 Lm/W
	90D	166 Lm/W	160 Lm/W	160 Lm/W	-	-
Luminous flux (lm, Std.Dev. ±5%) @CCT=4000K CRI>70Ra	15D	57600 Lm	64400 Lm	84000 Lm	107250 Lm	134400 Lm
	30D	66400 Lm	73600 Lm	96000 Lm	111000 Lm	139200 Lm
	60D	67600 Lm	73600 Lm	97800 Lm	112500 Lm	141120 Lm
	90D	66400 Lm	73600 Lm	96000 Lm	-	-
ULOR	=0% Luminaire inclination 0°					
CCT	3000K, 4000K, 5000K, 5700K, 6500K					
CRI	Ra70, Ra80, Ra90 optional					
Beam angle		15D / 30D / 60D / 90D			15D / 30D / 60D	

MECHANICAL SPECIFICATIONS

IP/IK	IP66/IK10 according to standard EN 60529 and EN 62262	
Vibration resistance	3G, conform to standard IEC 68-2-6	
SCx (EPA)	Front: 0.30658m ² (3.29ft ²) Side: 0.283354m ² (3.04ft ²)	Front: 0.265331m ² (2.86ft ²) Side: 0.255483m ² (2.75ft ²)
Housing/Materials	Heavy-duty die-cast aluminium (EN AC-46100)	
Surface treatment	Anti-UV thermosetting polyester/80 micron epoxy primer, Anti-UV thermosetting polyester (for extremely corrosive environments)	
Painting	Black, Customized color	
Cable	Pre-wired with a 1.5m cable (Other lengths on request)	
Mounting	Under Mount Yoke (with or without driver box)	

SPORT LIGHT

PQ-SPLF

LED						
PQ-SPLF		400W	460W	600W	750W	960W
LED Manufacturer		LUMILEDS / Seoul				
LED Model		Lumileds 5050 / Seoul 3535				
Working current of single LED (NV/HV) (Std. Dev ±10%)	15D	88	135	135	74/604	94/773
	30D	35	54	54	74/604	94/773
	60D	35	54	54	74/604	94/773
	90D	35	54	54	*	*
Lens		Polycarbonate, modular design				

OTHERS						
PQ-SPLF		400W	460W	600W	750W	960W
Lifespan		L90B10 > 100,000 hrs, Ta 25°C				
Warranty		5 years in standard, 10 years optional				
Certification		UL/cUL/FCC/CE/ENEC/SAA/GS				

Construction Features

- Heavy duty die-cast aluminum housing.
- The driver compartment has the flexibility to either be installed onto or separated from the light fixture.
- The light engine is designed to be thermally isolated from the driver component.
- UV stabilized polyester powder paint finish.
- The modular optical assemblies make maintenance easy.
- Horizontal and vertical aiming.



1. Visor (light shield)
2. Tiltable arm
3. Light source: top level performance LEDs, system efficacy up to 170lm/W
4. Space reserved for photocell sensor
5. Die casting fixture body
6. Gasket
7. Top level performance driver 1-10V dimmable
8. Driver box cover
9. 0 - ±90° Rotatable bracket



SPORT LIGHT

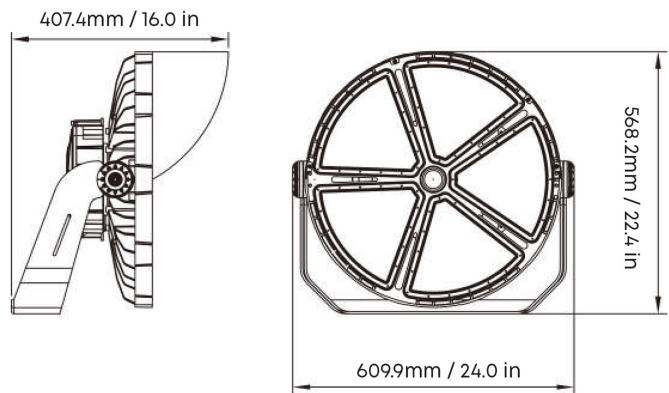
PQ-SPLF

DIMENSIONS

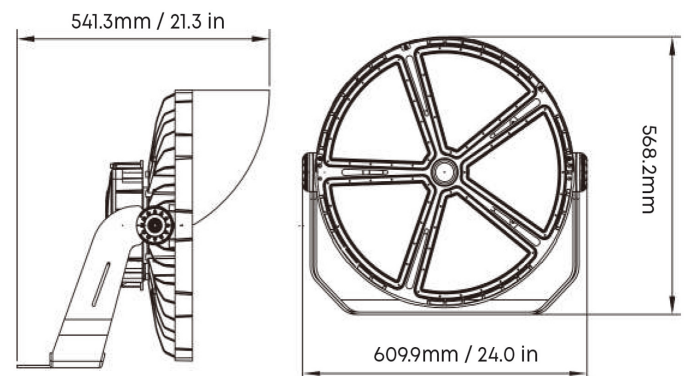


Model: 400W - 600W

Bracket A



Bracket B



SPORT LIGHT

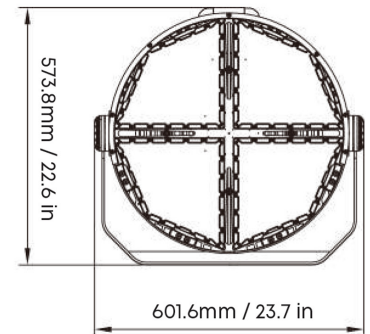
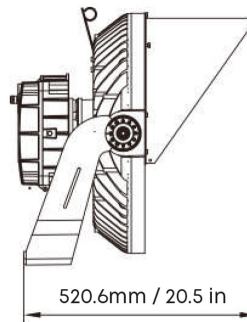
PQ-SPLF

DIMENSIONS

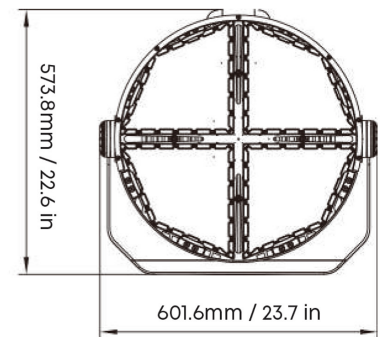
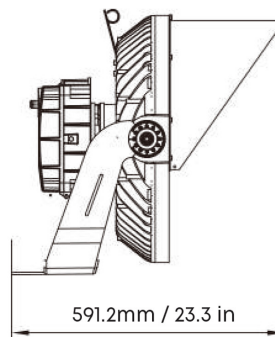


Model: 750W - 960W

Bracket A



Bracket B



SPORT LIGHT

PQ-SPLF

ACCESSORIES



Photocell



Steel rope



Visor



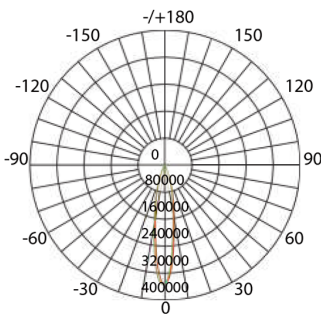
Laser aiming



Timing control

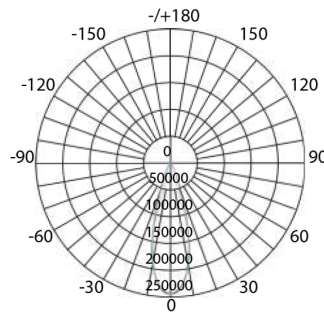
PHOTOMETRY

15degree



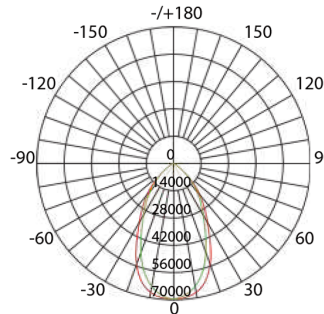
AVERAGE BEAM ANGLE(50%):18.2DEG
UNIT:cd
— C0/180 Ic:353054 9,2,9,1 — C90/270 Ic:354895 10,0,8,2

30degree



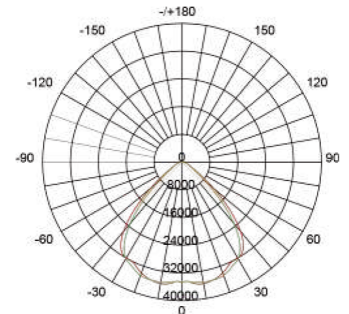
AVERAGE BEAM ANGLE(50%):29.8 DEG
UNIT:cd
— C0/180,29.5deg — C60/240,29.9deg
— C30/210,29.6deg — C90/270,30.1deg

60degree



AVERAGE BEAM ANGLE(50%):57.4 DEG
UNIT:cd
— C0/180 Ic:69654 30,1,30,1 — C90/270 Ic:69607 27,3,27,3

90degree



AVERAGE BEAM ANGLE(50%):89.9 DEG
UNIT:cd
— C0/180 Ic:35619 45,9,45,9 — C90/270 Ic:34766 44,0,44,0

INSTRUCTIONS FOR ORDERING WITH PREFERRED DIMENSIONS

Catalog Number for Example: PQ-SPLF-051K-460W-120V-030D

Series	Color Temperature (CCT)	Power (W)	Input Voltage (V)	Beam Angle	Options
SPLF	031K = 3000K	400	120V = 100-277AC 347V = 277-480AC	015D = 15 deg	V = with Visor
	041K = 4000K	460		030D = 30 deg	
	051K = 5000K	600		060D = 60 deg	
	057K = 5700K	750		090D = 90 deg	
	065K = 6500K	960			

If you have specific technology or service needs, it's highly recommended that you get in touch with Power-Q's experts. They can provide tailored solutions and guidance based on your specific requirements.

EMAIL: info@power-q.ca

PHONE: 514 667-6810

SPORT LIGHT

PQ-SPLF

APPLICATION REFERENCE

