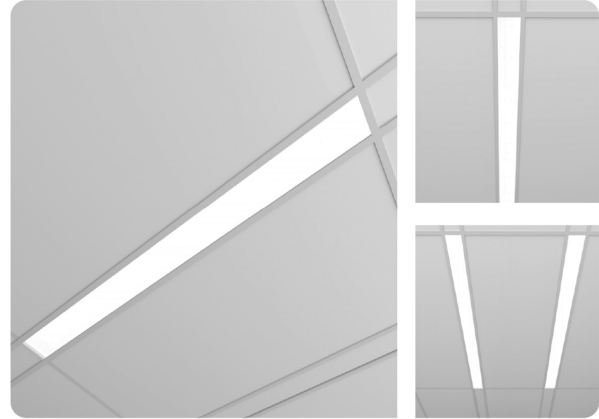


LINEAR LED

PQ-LISP / PQ-LISPL

- Features a minimalistic and clean design providing a superior quality of lighting.
- Ideal for commercial or architectural environments.



LINEAR LED

Model	Power (TW)	Color Temperature (CCT)	Input Voltage (V)	Finish	Dimmable	Dimensions	Mounting	Width (inches)
PQ-LISP	025	030K = 3000K 035K = 3500K 040K = 4000K 050K = 5000K	UNIV = AC120-277 AC120-347	BL = White NR = Black GR = Gray	D = 0-10V	002P = 2 Ft	RL = Rimless F = Frame	2.36" 3.74"
PQ-LISPL	040					004P = 4 Ft		
	050							

Catalog number as an example: PQ-LISPL-040TW-050K-UNIV-BL-D-004P-RL

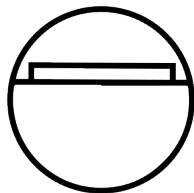
CERTIFICATIONS



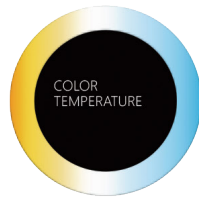
LINEAR LED

PQ-LISP-LISPL

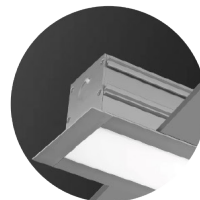
SPECIFICATIONS			
Power Tunable (TW)	25 = 25/20/15/10	40 = 40/33/27	50 = 50/40/32
Input Voltage (V)	120-277 / 120-347		
Lumens (lm/ft)	800 1000 1200		
Color Temperature (CCT)	3000K / 3500K / 4000K / 5000K		
Dimmable	0-10V		
Finish	White / Black / Gray		
Width Dimensions (Inch)	2.36 3.74		
Dimensions (Ft)	2	4	
Certificates	cETLus, FCC, CE		
Warranty	5 years		



Recessed



3000K/3500K/4000K/5000K



Extruded aluminum body



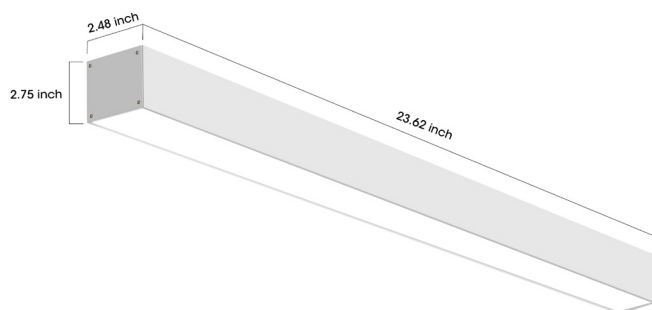
Snap-in at frosted acrylic lens

LINEAR LED

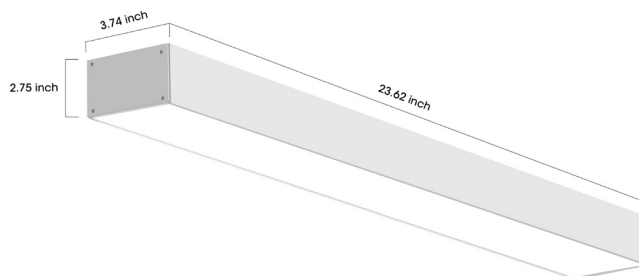
PQ-LISP-LISPL

DIMENSIONS

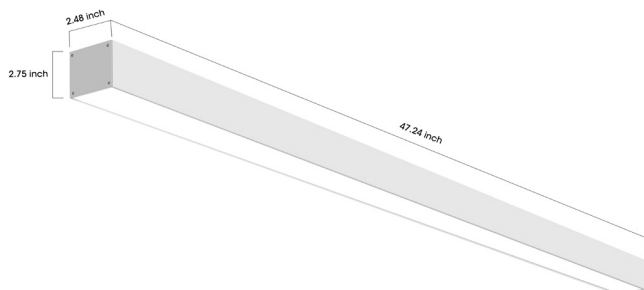
LISP - 2 FT



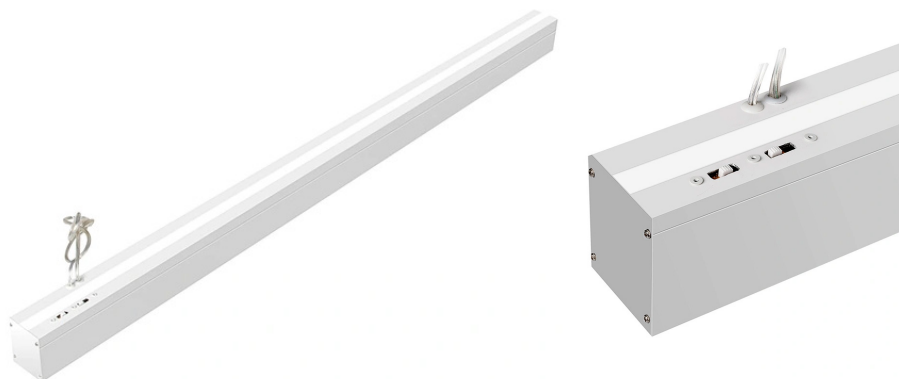
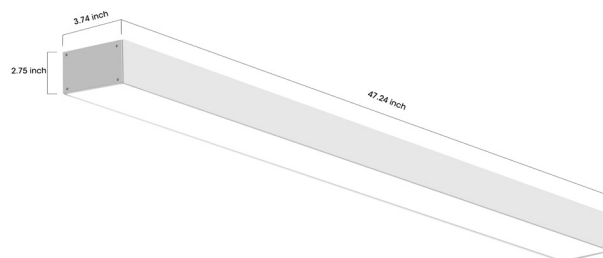
LISPL - 2 FT



LISP - 4 FT



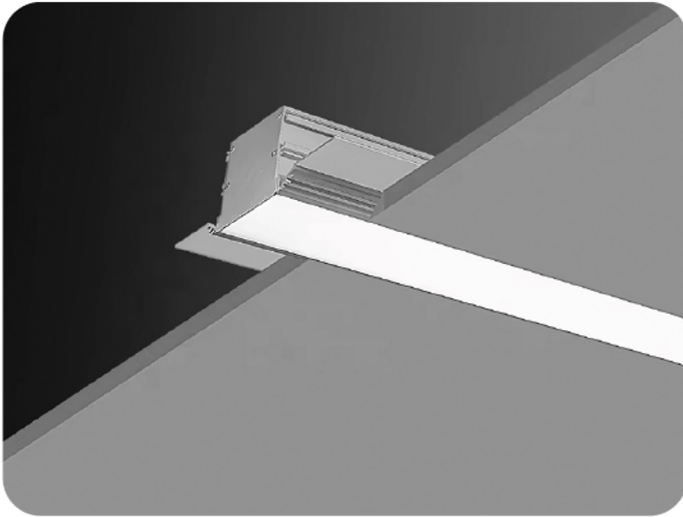
LISPL - 4 FT



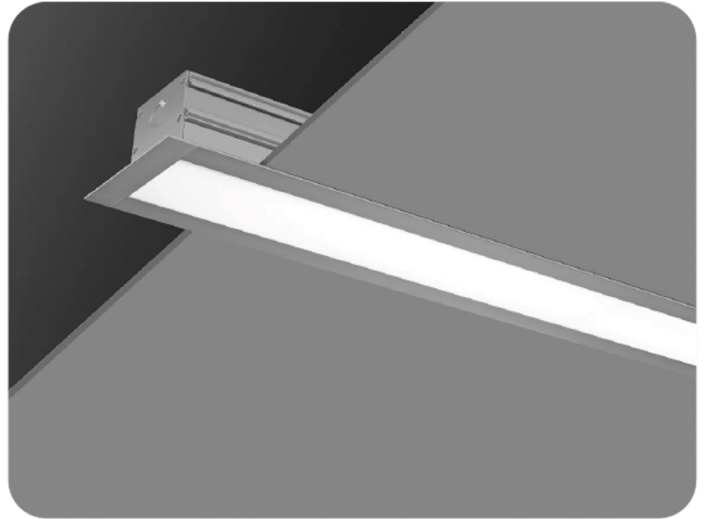
LINEAR LED

PQ-LISP-LISPL

INSTALLATION



Rimless



Frame

APPLICATION

