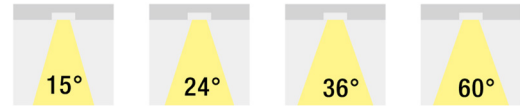


LED DOWNLIGHT

PQ-DWLK-3/4/5/6



- PQ-DWLK is energy-efficient solutions for recessed lighting. They are easy to install in drywall ceilings. The IC rated and airtight rated downlight series is innovative in design and technology, offering a sustainable solution for various applications with its high lumen output and adaptability. The highperformance LED array emits industry-leading lumen output and high CRI (80+), optionally 90+, providing a long lifespan. Designed for both residential and commercial spaces the series offers for dry/damp/wet locations for remodel and new construction applications. The fixture installs flush with the ceiling, with no housing required for remodel applications. A mounting frame with optional hanger bars is included for new constructions. Housing/bracket is sold separately, and a remote driver is included.
- Application: Ceiling Recess Mount**



AIRTIGHT

IC RATED

LED DOWNLIGHT

Model	Color Temperature	Power	Input Voltage	Beam Angle	Finish	Options	Dimensions
PQ-DWLK	CCTK = 2700/ 3000/ 3500/ 4000/ 5000	010W	UNIV = 100-347V	015D = 15°	BL = White NR = Black AR = Silver	D = Dimmable	003P = 3 inch
		012W		024D = 24°			004P = 4 inch
		020W		036D = 36°			005P = 5 inch
		030W		060D = 60°			006P = 6 inch

Catalog number as an example: PQ-DWLK-CCTK-030W-UNIV-015D-BL-D-006P

CERTIFICATIONS



LED DOWNLIGHT

PQ-DWLK

SPECIFICATIONS	
Power (W)	10 / 12 / 20 / 30
Input Voltage (V)	100-347AC
Lumens (lm/ft)	Up to 2550 lm
Color Temperature (CCTK)	2700K/3000K/3500K/4000K/5000K
LEDS	CRI80+ / CRI90
LED Lifetime	55,000 hours @ L90
Dimming	0-10V
Frequency (Hz)	50/60
Optics	15° / 24° / 36° / 60°
CRI	80Ra
Power Factor	0.9
Flicker	60Hz Flickerless
Material	Die Casting ADC12
Class	Class II
Finish	White / Black / Silver
Certification	cETLus
Warranty	5 Years



LED DOWNLIGHT

PQ-DWLK

FEATURES

Housing

Aluminum ADC12 integral Die-cast with powder paint coat preventing discoloring and rusting. Effective thermal dissipation facilitated by integral cast-aluminum with best heat dissipation performance. Each housing is finished with a white /black polyester powder coat.

LED Characteristics

This general application light features a 30 watt output that maintains uniform intensity producing up to 2550 lumens; with a typical CRI>90.
Available color is at range of 5CCT (2700K - 5000K) at LM70/80.

Various Optic

The high quality waterproof PMMA lens produces the field changeable 15° Spot, 24° Narrow Flood, 36° Flood, 60° Wide Flood for various application requirements.

LED Dimming Driver

100V-347V driver with 0-10V dimming.

Mounting

Strong snap-in mounting springs, for the use without junction box or recessed can, quick & easy installation for new constructions/Remodel applications.

Location

Suitable for indoor dry/damp locations and outdoor wet locations under the eave, hallway..etc, not exposed to the water.

Listing

ETL Listed to US and Canadian standards (cETL, ETLus)

Warranty

5-Year LED Limited Warranty.

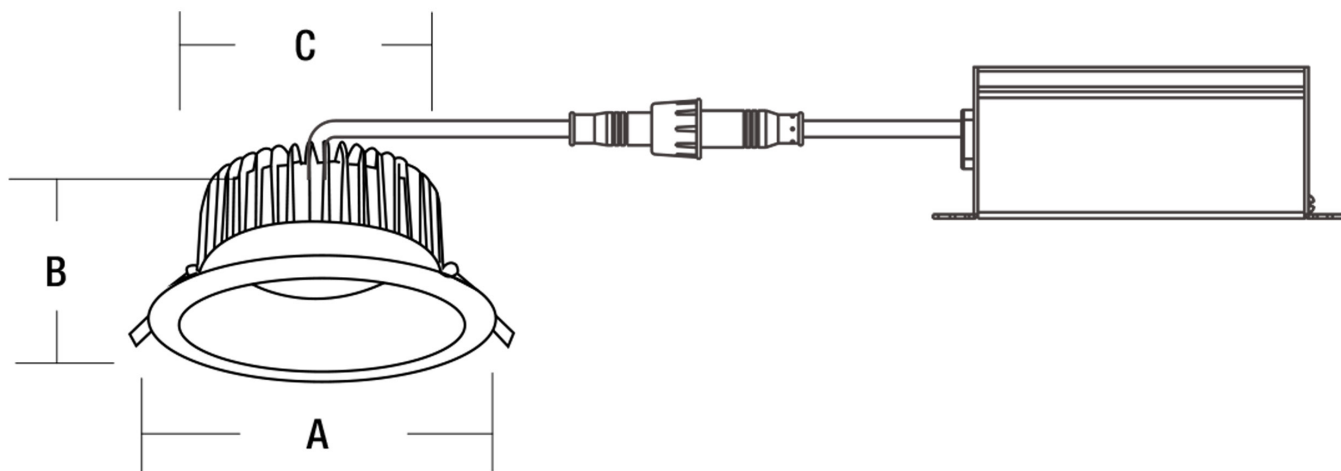
Benefits

Type IC rated fixtures are designed to be installed in areas where they will be in direct contact with insulation and suitable for insulated and non-insulated ceilings. Installed in New constructions and remodel applications at the residential and commercial applications.

LED DOWNLIGHT

PQ-DWLK

DIMENSIONS (UNIT: MM)



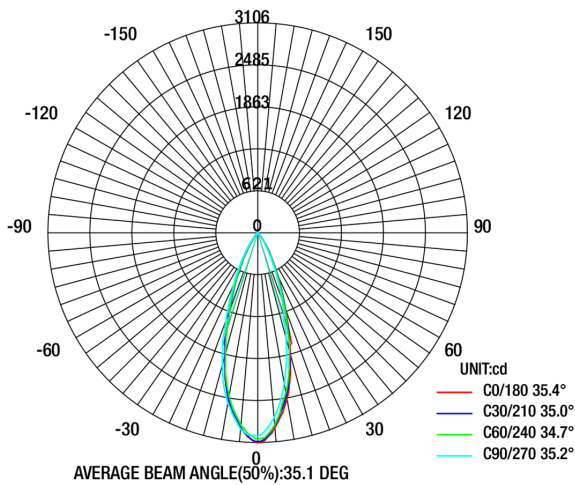
Dimensions Models	A (mm)	B (mm)	C (mm)	Power (W)
003P	94	64	80	10W
004P	114	68	95	12W
005P	140	74	120	20W
006P	184	80	150	30W

LED DOWNLIGHT

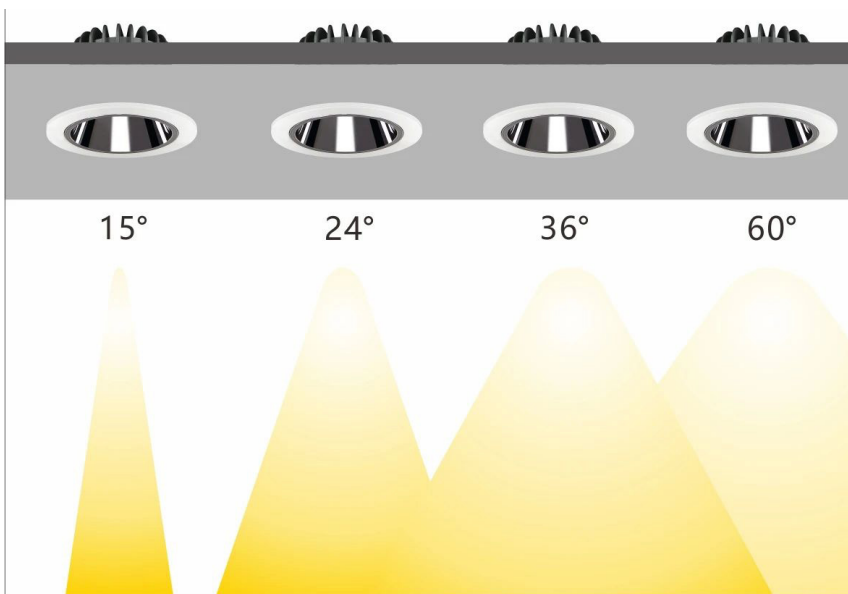
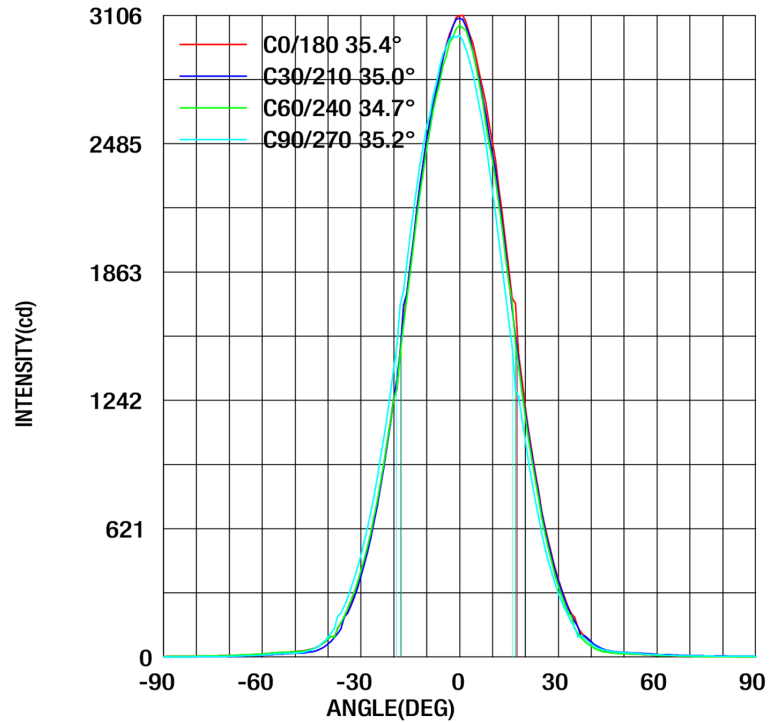
PQ-DWLK

PHOTOMETRY

LUMINOUS INTENSITY DISTRIBUTION



LUMINOUS INTENSITY DISTRIBUTION



Optics

- 15° - Spot
- 24° - Narrow Flood
- 36° - Flood
- 60° - Wide Flood

LED DOWNLIGHT

PQ-DWLK

FINISH OPTIONS



Trim Options
Fixed-Round

REFLECTOR FINISH

