

LED DOWNLIGHT

PQ-DWLK



HOUSING INSTALLATION

- New Construction with galvanized steel adjustable hanger bars.
- New Construction with galvanized rough in plate without adjustable hanger bars.
- Remodel installation option available.
- IC Shallow housing option available if required.
- Ceiling Material: Drywall, T-bar grid.
- Steel junction box with up to 3 x ½" knockouts.
- Type IC rated and Air-tighted.



READ ENTIRE INSTALLATION PROCEDURE BEFORE YOU BEGIN!

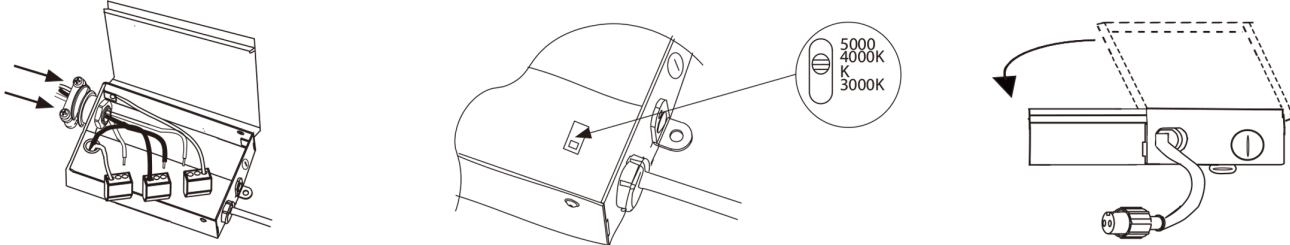
IMPORTANT SAFETY INSTRUCTIONS FOR REMODEL & CONSTRUCTIONS

1. When installing or using this luminaire, basic safety precautions should always be followed including the following.
2. Read all instructions before attempting to install this product.
3. Ensure main power is off before installing or wiring this luminaire.
4. This product must be installed in accordance with the applicable NEC and local codes by a person familiar with the construction and operation of the product and the hazards involved.
5. To prevent wiring damage or abrasion, do not expose wiring to edges of sheet metal or other sharp objects.
6. Disconnect electrical power before adding to or changing the configuration of this product.
7. Save these installation instructions and refer to them when modifications are made.
8. Failure to follow safety instructions will void warranty.

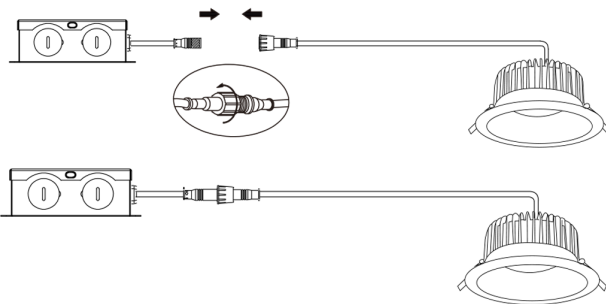
LED DOWNLIGHT

PQ-DWLK

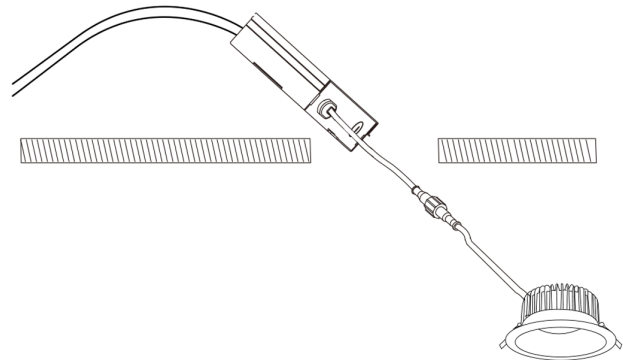
- 1** Tighten Romex connector clamp. Select desired CCT by sliding switch in driver box and close junction box. (If 3CCT/5CCT)



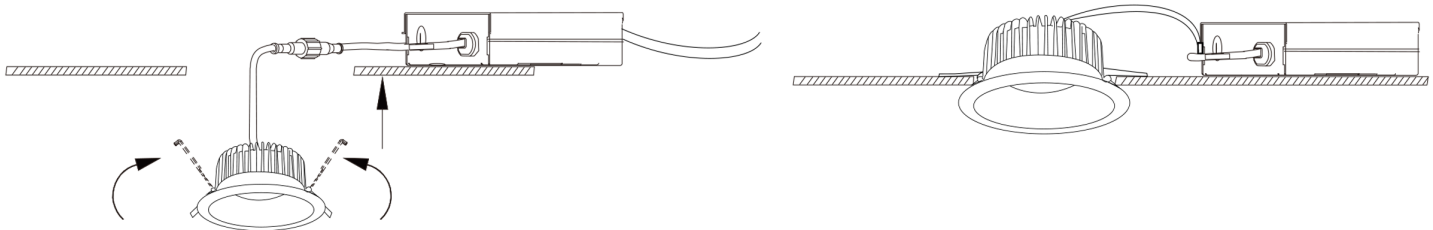
- 2** Connect light engine. Be sure to properly align connectors and fully screw down connector cover.



- 3** Place driver box into ceiling. (Optional: Mount using mounting tabs and screws)



- 4** Push up spring-arms on side of fixture, lift into ceiling, and release spring-arms.



- 5** Turn on power and enjoy your new lighting.



Electrical Requirements

- The LED luminaire must be connected to the mains supply according to its ratings on the product label.



Grounding Instructions

- The grounding and bonding of the overall system shall be done in accordance to local electric code of the country where the luminaire is installed.

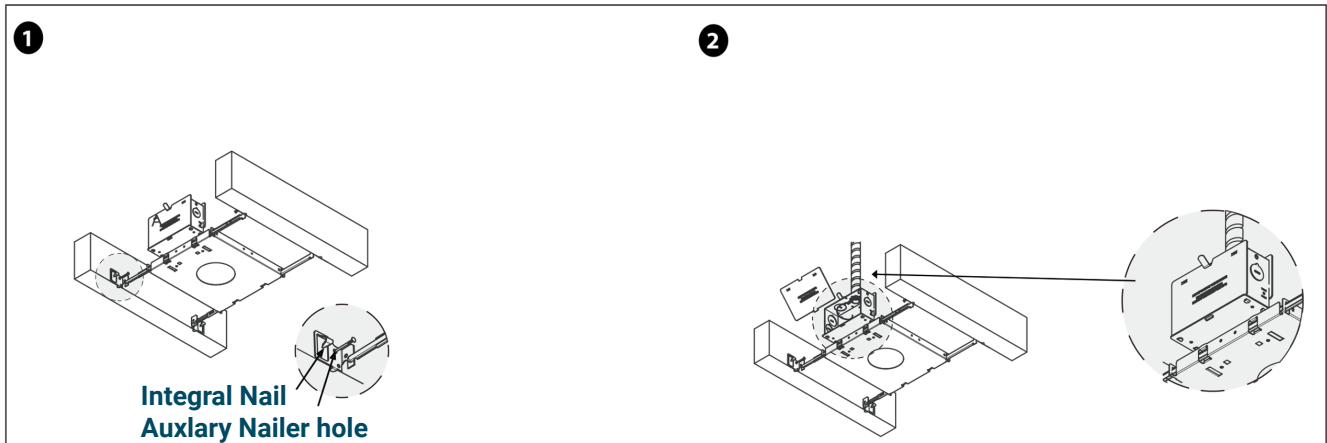
Important Safety Information

- Suitable for INDOOR damp locations.
- Do not look directly at LEDs for extended period of time.
- Turn power off before servicing.
- Do not leave bare wires exposed.
- Use Minimum 90°C supply conductors. For additional electrical requirements, see fixture.

LED DOWNLIGHT

PQ-DWLK

New Construction Mounting Bracket Hanger Bars



Install Housing.

Using the supplied hanger bars, secure the housing to the joists by hammering in the built-in toothed integral nail. **NOTE:** Auxiliary nailing holes are provided for additional retention.

1. Remove outer junction box cover.
2. Remove knockout and install BX-Cable.
3. Connect the power supply to branch circuit accordingly.
Leave a 3-5 inch service loop on the power feed Line, Common and Ground wires. This will allow the inner J Box cover and power supply to be pulled through the ceiling cutout for power supply replacement. If 0-10V dimming is used, also leave a 3-5 inch service loop in the 0-10V control wires.
(See wiring instructions below).
4. Re-install junction box cover.

LED DOWNLIGHT

PQ-DWLK

3

**Wiring Diagram
PASS-THROUGH**

SINGLE-BLOCK

**NEUTRAL (WHITE)
LINE (HOT)(BLACK)
GROUND (GREEN)
+ DIM (PURPLE)
- DIM (GREY)**

**+ LED (RED)
- LED (BLACK)**

0-10V DIMMING

4

1. Connect GROUND wire from fixture to supply ground.
 2. Connect black fixture lead to (+) LINE supply lead.
 3. Connect white fixture lead to (-) COMMON supply lead.
- For 0-10V dimming, follow wiring directions in Fig. 1.

Raise and install ceiling. Mark aperture center.

5

6

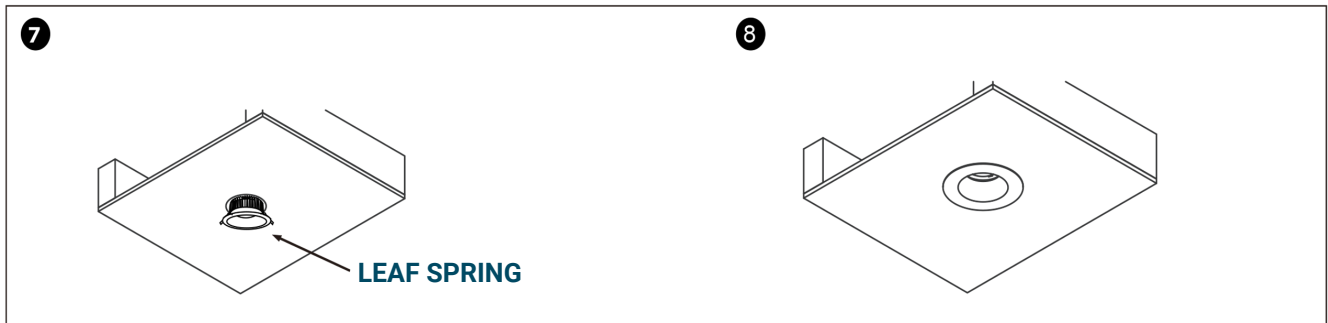
QUICK CONNECT

1. Make ceiling cutout at the previously marked location using the dimensions in the chart below.
2. Pull output wiring through the aperture.

Connect module to the driver output quick connect.

LED DOWNLIGHT

PQ-DWLK



Compress leaf springs to insert module into ceiling cutout. Twist module clockwise to help further engage the springs above the ceiling plane.

Hooray! Power can be restored. Enjoy your new lights!