

# LED DOWNLIGHT

## PQ-DWLL4

- Aluminum ADC12 integral Die-cast with powder paint coat preventing discoloring and rusting. Effective thermal dissipation facilitated by integral cast-aluminum with best heat dissipation performance.
- Type IC rated fixtures are designed to be installed in areas where they will be in direct contact with insulation and suitable for insulated and non-insulated ceilings. Installed in New constructions and remodel applications at the residential and commercial applications.
- Application: Ceiling Recess Mount



**AIRTIGHT IC RATED**

LED DOWNLIGHT					
Model	Color Temperature (CCT)	Power (W)	Input Voltage (V)	Beam Angle	Options
PQ-DWLL4	CCTK = 2700/ 3000/ 3500/ 4000/ 5000	018W 022W	UNIV = 100-347AC	015D = 15° 024D = 24° 036D = 36° 055D = 55°	D = Dimmable

Catalog number as an example: PQ-DWLL4-CCTK-018W-UNIV-015D-D

TRIM		
Model	Finish	Trim Shape
PQ-DWLL4	BL = White NR = Black AR = Silver	DT = Double Trim RP = Round Plate SP = Square Plate

Catalog number as an example: PQ-DWLL4-BL-DT

### CERTIFICATIONS

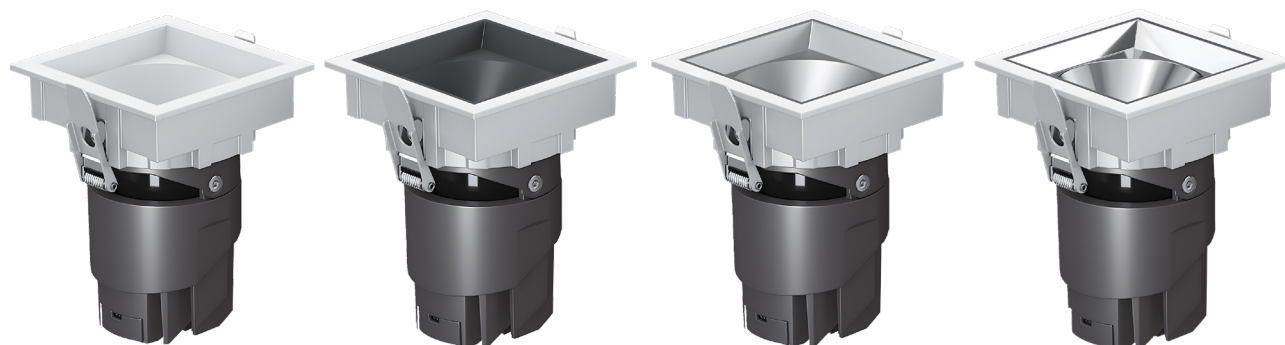


# LED DOWNLIGHT

PQ-DWLL4

## SPECIFICATIONS

Power (W)	18 / 22
Input Voltage (V)	100-347 AC
Lumens (lm/ft)	Up to 1870 lm
Efficacy	Up to 85 LPW (100 LPW-can be customized if required)
Color Temperature (CCTK)	2700K/3000K/3500K/4000K/5000K
Color Quality	90+ CRI, 3-Step SDCM
LED Lifetime	55,000 hours @ L90
Dimming	0-10V
Frequency (Hz)	50/60
Optics	15° / 24° / 36° / 55°
Adjustable	0°-15° tilt & 355° horizontal (Adjustable trims only)
CRI	>90Ra
Power Factor	0.9
Material	Die Casting ADC12
Class	Class II
Finish	White / Black / Silver
Certification	cETLus
Warranty	5 Years



# LED DOWNLIGHT

PQ-DWLL4

## FEATURES

---

### Lamp Body

Aluminum ADC12 integral Die-cast with powder paint coat preventing discoloring and rusting. Effective thermal dissipation facilitated by integral cast-aluminum with best heat dissipation performance.

### Junction Box

Waterproof with potting technology electronic Direct Current LED driver integrally mounted in electric J-box which is made of extruded alu.or punched galvanized Iron j-box with 1/2" trade size knockouts located at each end. The compartment satisfies the junction box volume requirements of CSA C22.2 No. 250.0 & UL1598 standards.

### LED Characteristics

This general application light features a 22 watt output that maintains uniform intensity producing up to 1850 lumens; with a typical CRI>90.  
Available color is at range of 5CCTK (2700K - 5000K) at LM80/90.

### Various Optic

Interchangeable precision injection lens optimized for 15°, 24°, 36°, 55° beam distribution.

### LED Dimming Driver

100V-347V driver with 0-10V dimming.

### Mounting

Strong snap-in mounting springs, for the use without junction box or recessed can, quick & easy installation for new constructions/remodel applications.

### Location

Suitable for indoor damp & wet locations.

### Listing

ETL Listed to US and Canadian standards for damp & wet locations.

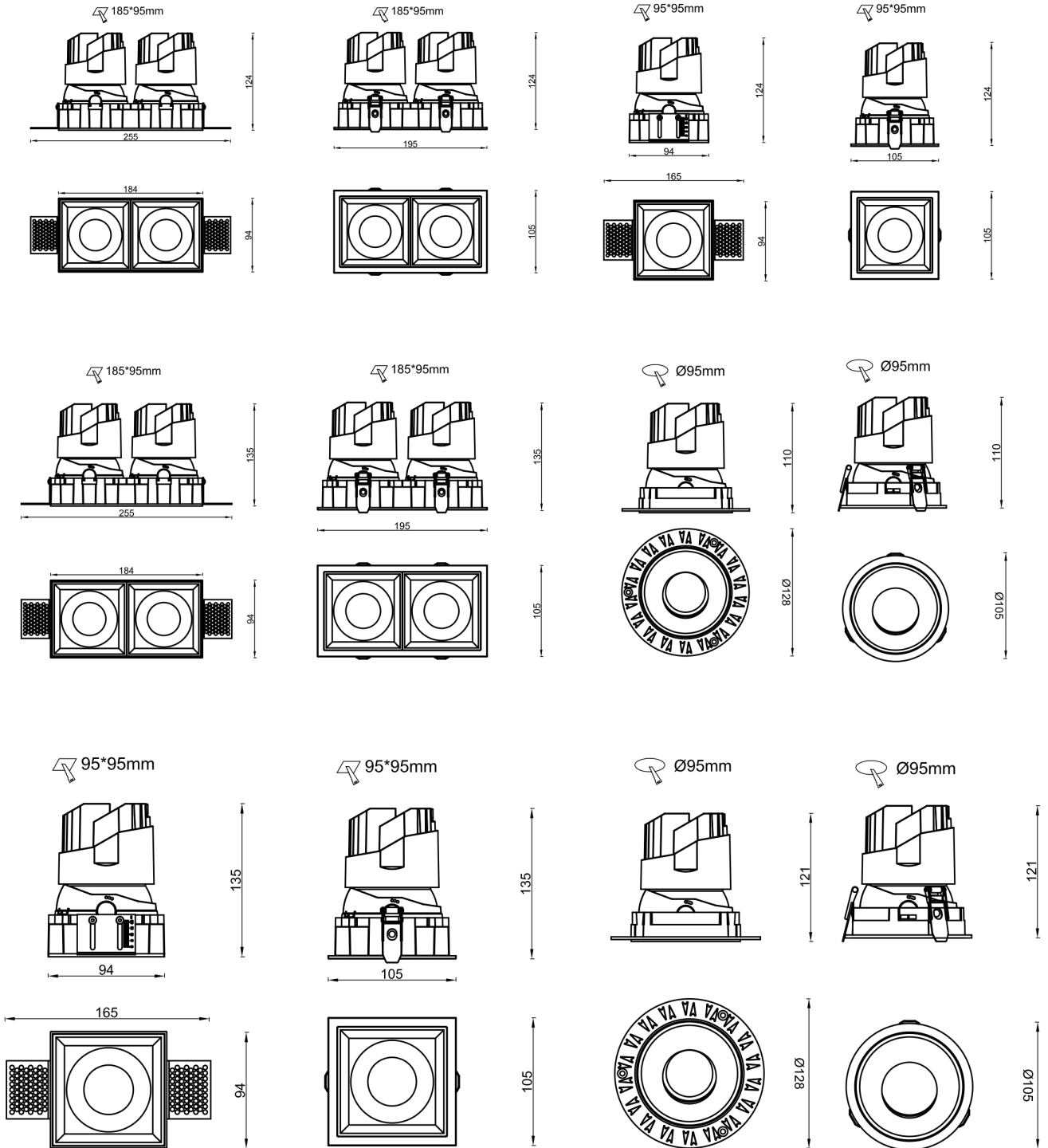
### Warranty

5-Year LED Limited Warranty.

# LED DOWNLIGHT

PQ-DWLL4

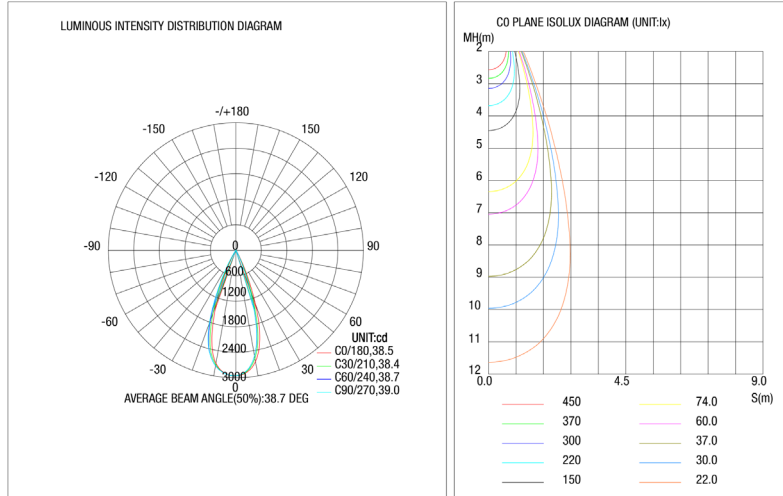
## DIMENSIONS (IN MM)



# LED DOWNLIGHT

PQ-DWLL4

## PHOTOMETRY



## MODULE WITH TRIMS



## TRIM OPTIONS

- Fixed or Adjustable
- Round or Square
- Pin hole / Oval hole
- Wall washer
- Standard or Trimless



■ Matt White

■ Matt Black

■ Matt Silver

# LED DOWNLIGHT

PQ-DWLL4

## MODULE LED ENGINE



## MODULE WITH TRIMS

(RP)



■ Standard RD Trim

(SP)



■ Standard SQ Trim

(DT)



■ Double Trims

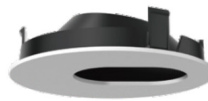
## MODULE WITH TRIMS (OPTIONAL)



■ Square Trimless



■ Double Trimless



■ Oval Hole Trim



■ Pin Hole Trim



■ Round Trimless

## REFLECTOR FINISH



■ Chrome Gold



■ Specular



■ Gun Black



■ Matt Silver



■ Matt White



■ Matt Black

## EXTRA ACCESSORIES( IF REQUIRED)



■ Honeycomb Louvre



■ Linear Lens



■ Solite Lens



■ Frosted Lens



■ Clear Lens