

SPORT LIGHT

PQ-SPL9

The PQ-SPL9 series offers a comprehensive lighting solution for stadiums. Anti-Glare grille and visors to ensure high-quality lighting. Optoelectrical separation solution to save material costs and avoid the interference of heat to the driver, to ensure efficient operation. Humanized structure design for convenient installation, enhancing safety in high-altitude operations.

Key takeaways:

- High-quality lighting effect, controlling glare while ensuring a total light flux of up to 150,000lm.
- Optional anti-glare grille to reduce glare and control light uniformity.
- Large light-emitting area, saving materials, and improving light utilization.
- Equipped with a visor to prevent glare and light spill, say goodbye to light pollution.



SPORT LIGHT					
MODEL	Color Temperature (CCT)	Power (W)	Luminous Flux (Lm)	Dimensions (mm)	Input Voltage (V)
PQ-SPL9	030K = 3000K 040K = 4000K 050K = 5000K 057K = 5700K	1000W 1200W 1300W 1300TW = 1300/1200/1000	145,000 -195,000	544*575*540	120 = 120-277 AC 347 = 200-480 AC
	RGB RGBW	600W 680W 750W 800W 800TW = 800/750/680	90,000 -120,000 102,000 -120,000	502*454*451	

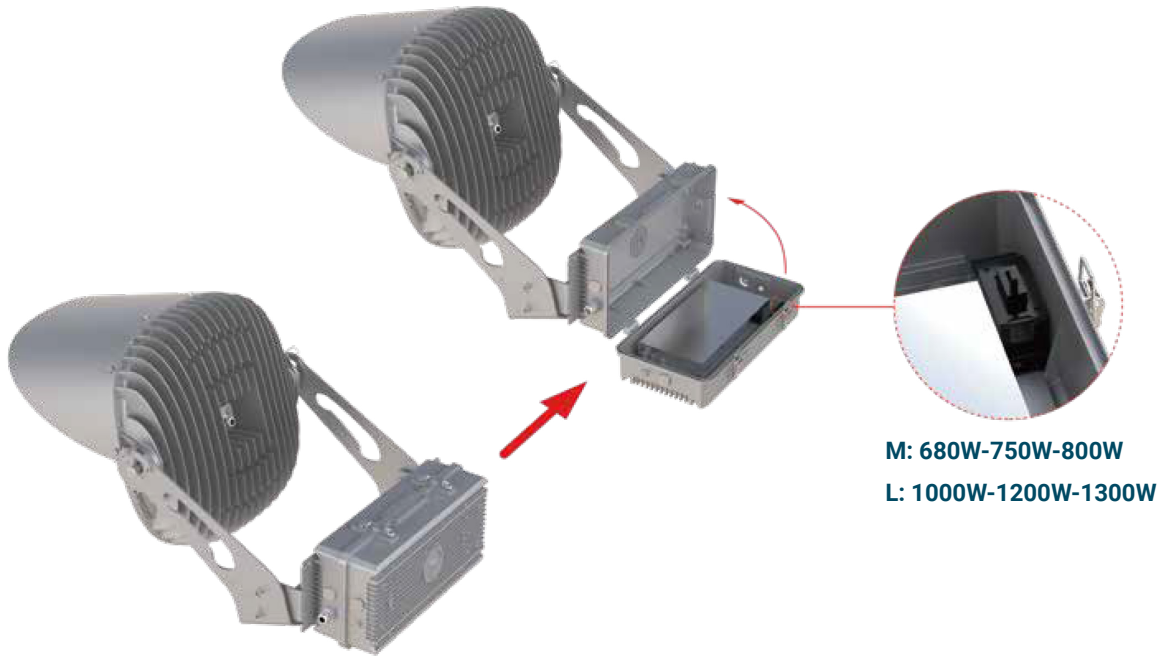
CERTIFICATIONS



SPORT LIGHT

PQ-SPL9

3-in-1 Wattage Tunable



M: 680W-750W-800W
L: 1000W-1200W-1300W

Flat heat sink, ensuring sufficient heat dissipation area and air circulation space.



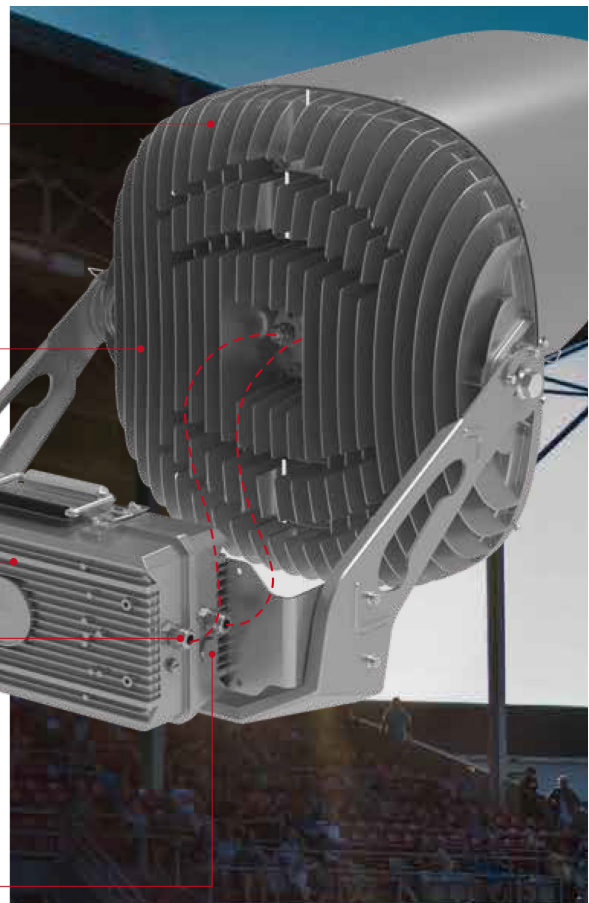
- 1 Opto-electrical separation design to reduce material costs.
- 2 Separation of power supply and heat sink, extending the overall lamp life.

In-distribution box power supply installation
Independent or in-distribution box power supply installation, suitable for replacing HID products, easy installation, and maintenance.

Quick plug-and-play wiring for easy installation and maintenance.

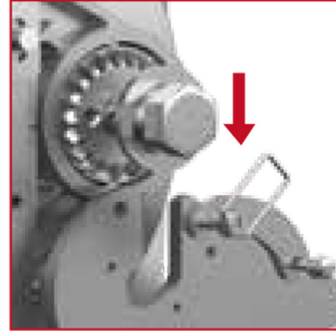
Dimmer Connector

Reserved intelligent module installation position, compatible with various remote smart control solutions such as 0-10V Dimming, PWM, Dali, DMX, Synapse, etc.



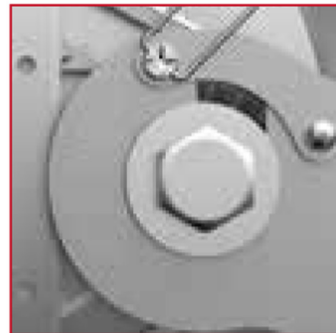
SPORT LIGHT

PQ-SPL9



Snap-on installation structure, enabling single-person installation.

Incremental 2.5deg tick marks to allow for precise aiming and to facilitate the alignment of luminaires.



SPORT LIGHT

PQ-SPL9

ELECTRICAL CHARACTERISTICS

Power (W)	1000/1200/1300 1300TW = 1000/1200/1300	600/680/750/800 800TW = 680/750/800
Input voltage (V)	AC120-277, AC200-480	
Power factor	≥0.95	
THD	≤15%	
Surge protection	10kV	
Protection against electric	Class I	

OPTICAL CHARACTERISTICS

Luminous flux (Lm)	145,000-195,000	90,000-120,000 102,000-120,000
Beam Angle & LED Type	11°,15°- (Samsung) 20°, 40°, 60° - (Lumileds)	15°- (Samsung) 20°, 40°, 60° - (Lumileds)
CCT	3000K/4000K/5000K/5700K RGB(optional)/RGBW(optional)	
CRI	70, (80, 90, TLCI>90 Optional)	
Dimmable	0-10V	
Intelligent Control	0-10V Dimming, PWM, Dali, DMX, Synapse	
Percent flicker(%)	<3%	
SDCM	≤5	
Driver	Sosen, Inventronics, Powerland	Sosen, Inventronics, Powerland, uPowerTeck
Lifetime	100, 000H(L70B50@25°C)/100, 000H(L70B50@77°F)	

ENVIRONMENTAL

Operating temperature (°C)	-40 to +50 (-40°F to +122°F)
IP Rating	IP66
IK Rating	IK08

CONSTRUCTION / LUMINAIRE

EPA	Front: 2.9ft ² Side: 1.02ft ²	Front: 1.93ft ² Side: 0.8ft ²
Dimension(mm/in)	544*575*540mm 30.71*24.80*13.98in	502*454*451mm 19.76*17.87*17.76in
Mounting	Bracket	
Material	Structure: Die-casting/High Thermal Conductivity AL Finish: Powder coated Lens: Polycarbonate Color: Gray	

CERTIFICATIONS

Certifications UL / DLC / FCC

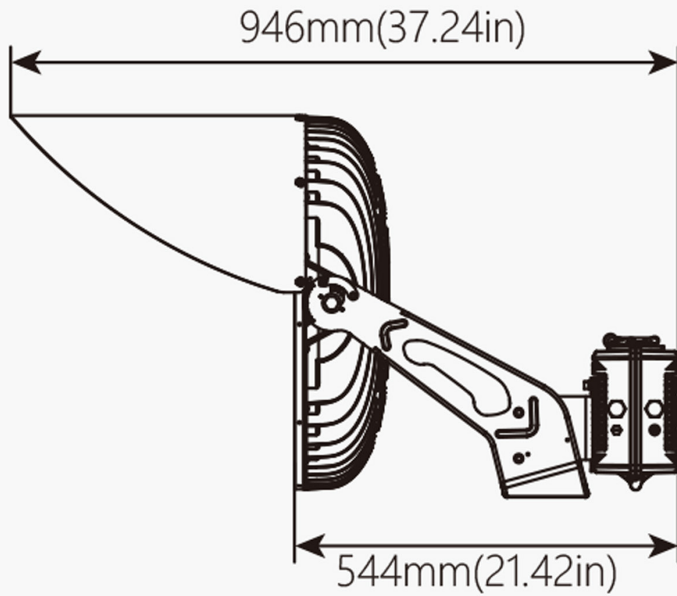
WARRANTY

Warranty 5 years

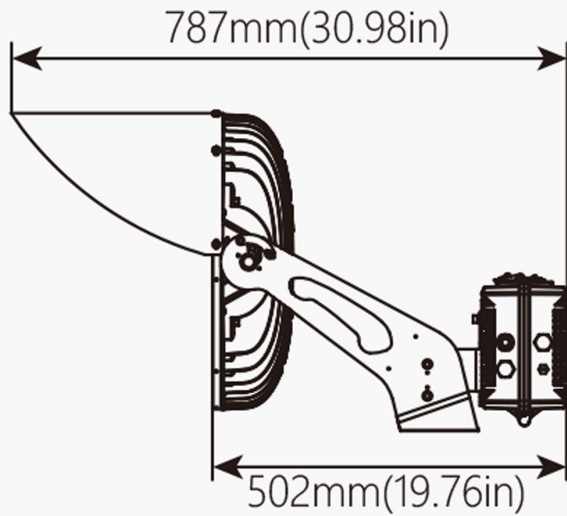
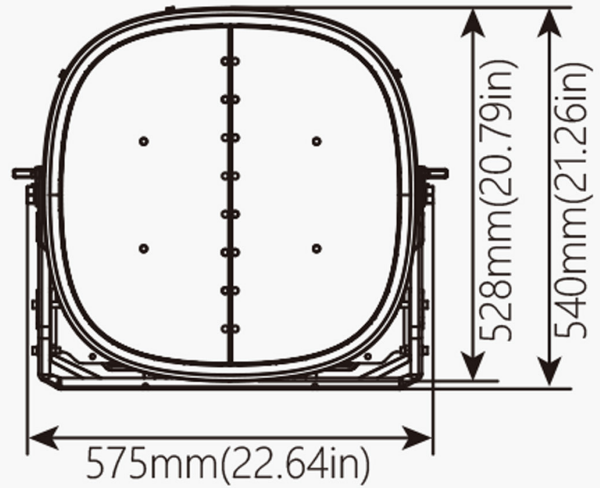
SPORT LIGHT

PQ-SPL9

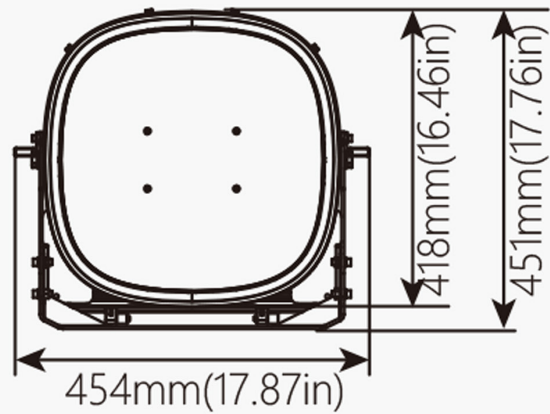
DIMENSIONS (UNITS: MM / IN)



Model - L



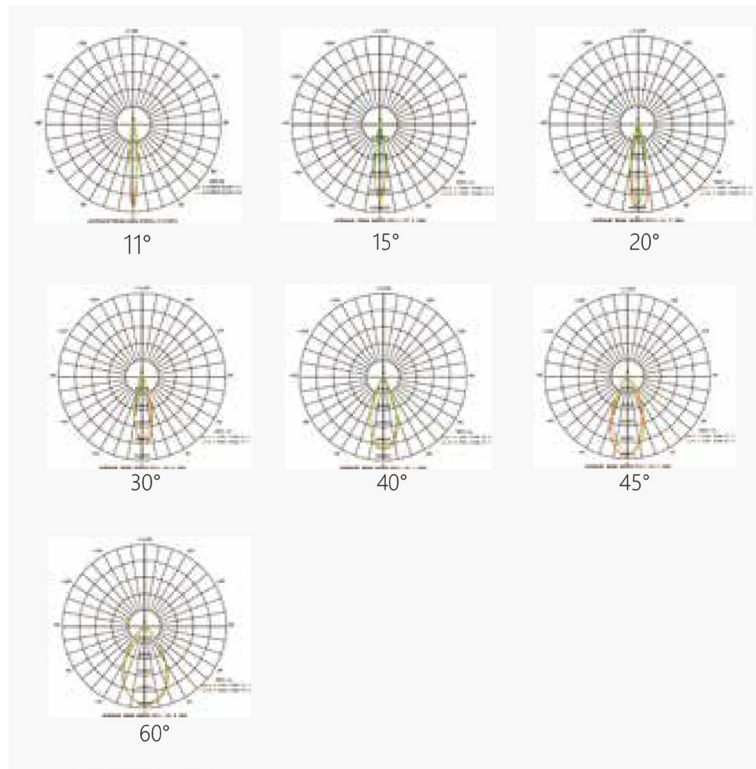
Model - M



SPORT LIGHT

PQ-SPL9

PHOTOMETRY



OPTICAL ACCESSORIES



Optional Visor

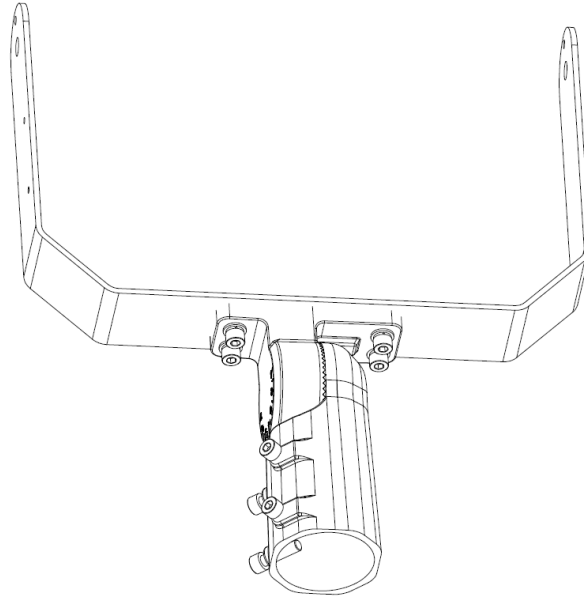


Optional anti-glare grille

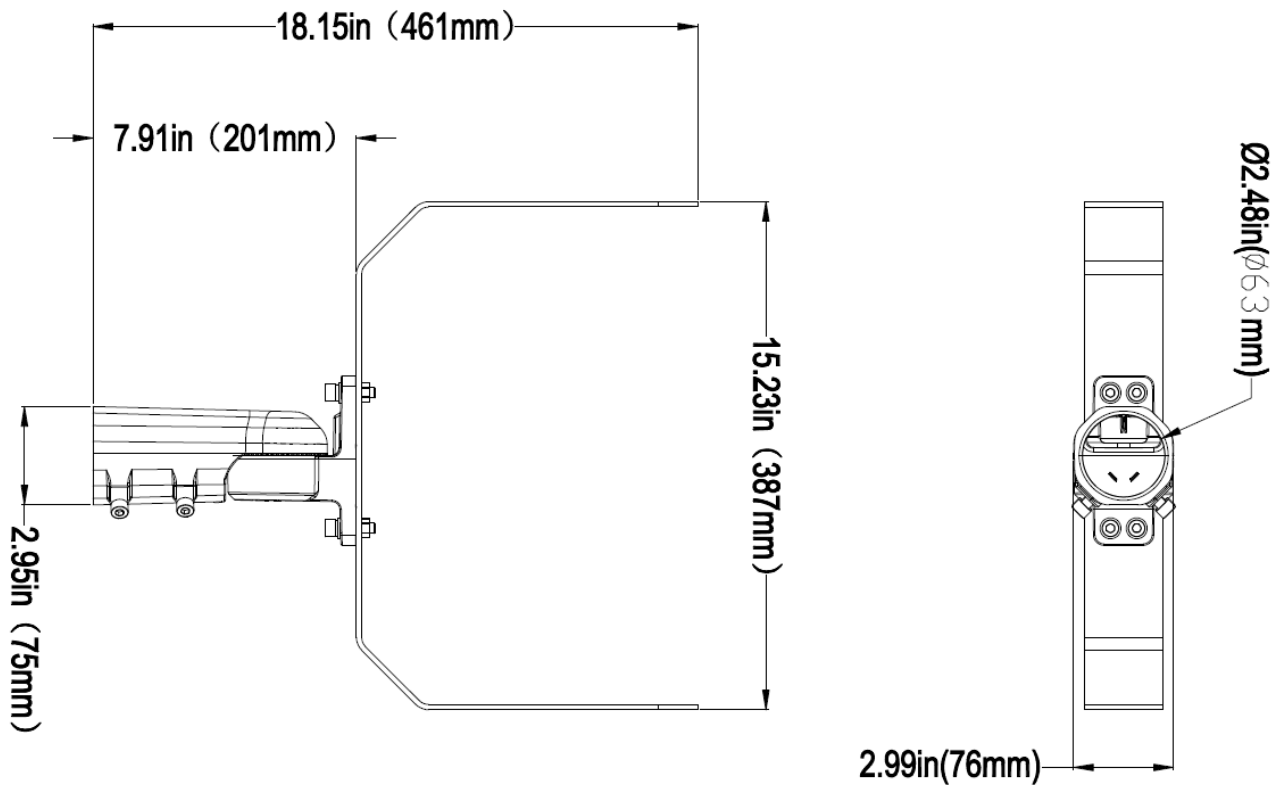
SPORT LIGHT

PQ-SPL9

MOUNTING ACCESSORY: SFU BRACKET



SFU BRACKET



SPORT LIGHT

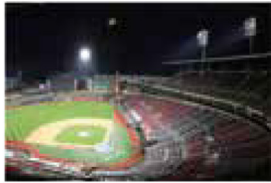
PQ-SPL9



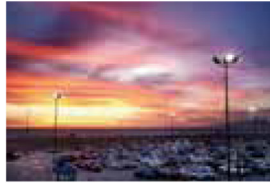
Sports Complex



Football Pitch



Baseball Field



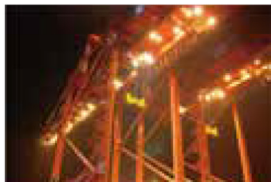
Parking Lot



Industrial & construction sites



Airport



Port Lighting

Applications

- Sports & recreational fields
- Large-scale outdoor events
- Industrial and construction sites
- Parking lots and garages
- Crane lighting
- Security and outdoor surveillance

INSTRUCTIONS FOR ORDERING WITH PREFERRED DIMENSIONS

Catalog Number for Example: PQ-SPL9-050K-1300W-347V-020D-SFU

Series	Color Temperature (CCT)	Power (W)	Input Voltage (V)	Beam Angle	Options
PQ-SPL9	030K = 3000K 040K = 4000K 050K = 5000K 057K = 5700K RGB RGBW	600W 680W 750W 800W 800TW = 800/750/680 1000W 1200W 1300W 1300TW = 1300/1200/100	120V = 120-277 AC 347V = 200-480 AC	011D = 11° 015D = 15° 020D = 20° 040D = 40° 060D = 60°	UB = U-Bracket SFU = Split-Fitter U Bracket

If you have specific technology or service needs, it's highly recommended that you get in touch with Power-Q's experts. They can provide tailored solutions and guidance based on your specific requirements.

EMAIL: info@power-q.ca

PHONE: 514 667-6810