

# SPORT LIGHT

## PQ-SPL9M

SPL9M is an all-in-one low & medium-power sports field light, applicable to professional sports, civil training grounds, outdoor entertainment venues, plazas, parking lots, airports, docks, and other high-mast lighting places.

### Key takeaways:

- High-quality lighting effect, controlling glare while ensuring a total light flux of up to 80,000lm.
- Integrated design to ensure the IP66 waterproof performance.
- Built-in a junction box that can be convenient and fast wiring.
- The Visor Helps with accurate light control and dramatically reduces glare and spill.
- Built-in 10KV Surge Protector.



SPORT LIGHT					
MODEL	Color Temperature (CCT)	Power (W)	Luminous Flux (Lm)	Dimensions (mm)	Input Voltage (V)
PQ-SPL9M	030K = 3000K	300 400 500	45,000Lm - 80,000Lm	447*409*408mm	120V = 100-277 AC 347V = 200-480 AC
	040K = 4000K				
	050K = 5000K				
	057K = 5700K				
	RGB RGBW				

### CERTIFICATIONS



# SPORT LIGHT

PQ-SPL9M

## LED Sports Field Lighting



500W/400W/300W



# SPORT LIGHT

PQ-SPL9M

ELECTRICAL CHARACTERISTICS	
Power (W)	300 / 400 / 500
Input voltage (V)	AC100-277, AC200-480
Power factor	≥0.95
THD	≤15%
Surge protection	10kV
Protection against electric	Class I

OPTICAL CHARACTERISTICS	
Luminous flux (Lm)	45,000 - 80,000 (±10%)
Beam Angle &	30°, 45°
LED Type	Lumileds
CCT	3000K/4000K/5000K/5700K RGB/RGBW (optional)
CRI	70, (80, 90, TLCI>90 Optional)
Dimmable	0-10V
Intelligent Control	0-10V Dimming, PWM, Dali, DMX, Synapse
Percent flicker(%)	<3%
SDCM	≤5
Driver	Moso, uPowerTeck, Sosen
Lifetime	100, 000H(L70B50@25°C)/100, 000H(L70B50@77°F)

ENVIRONMENTAL	
Operating temperature (°C)	-40 to +50 (-40°F to +122°F)
IP Rating	IP66
IK Rating	IK08

CONSTRUCTION / LUMINAIRE	
EPA	Front: 1.28ft <sup>2</sup> Side: 0.85ft <sup>2</sup>
Dimension(mm/in)	447*409*408 mm 17.60*16.10*16.06 in
Mounting	Bracket
Material	Structure: Die-casting/High Thermal Conductivity AL Finish: Powder coated Lens: Polycarbonate Color: Gray

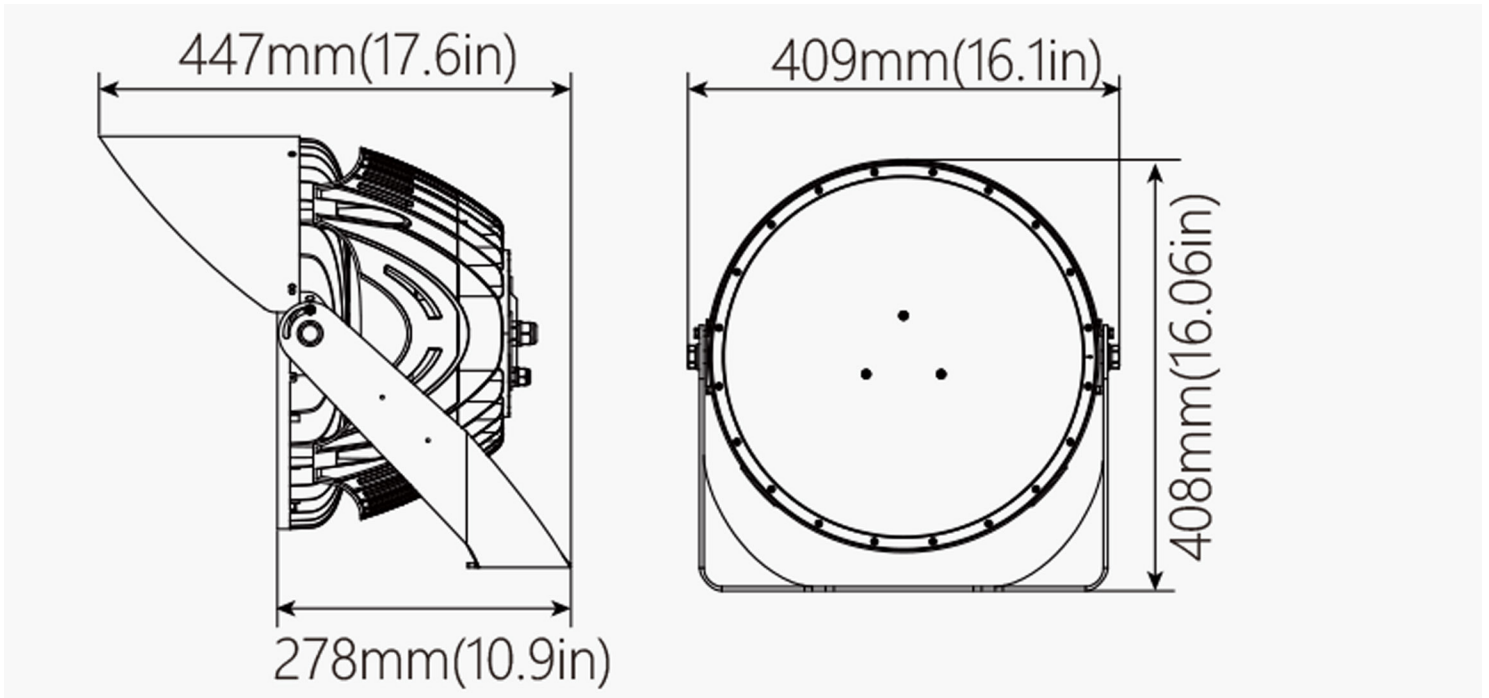
CERTIFICATIONS	
Certifications	UL / DLC / FCC

WARRANTY	
Warranty	5 years

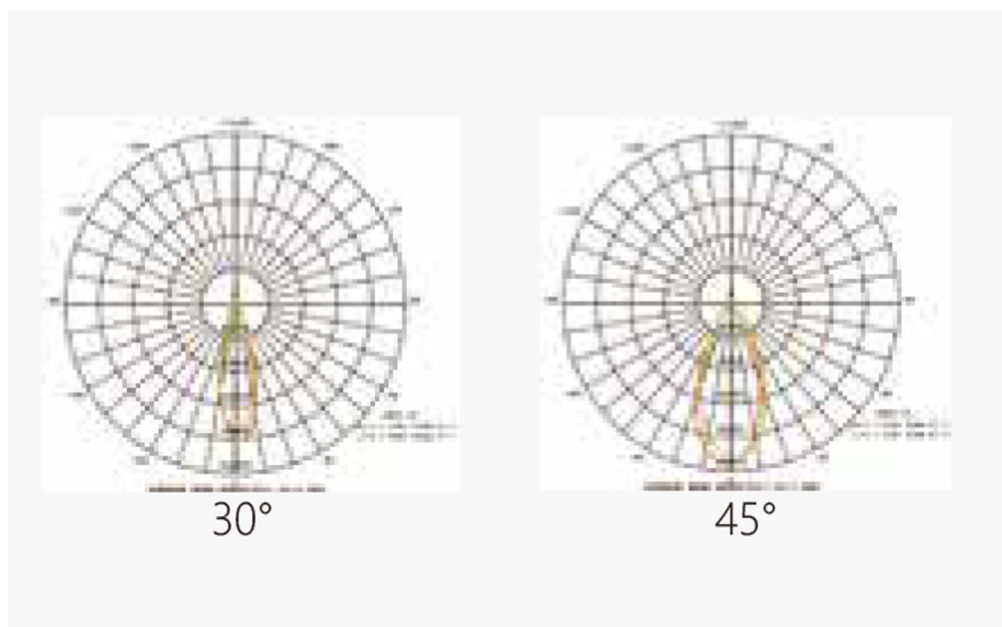
# SPORT LIGHT

PQ-SPL9M

## DIMENSIONS (UNITS: MM / IN)



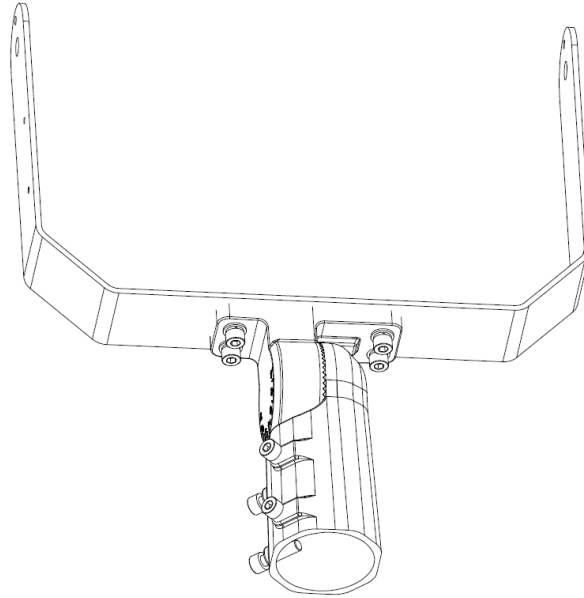
## PHOTOMETRY



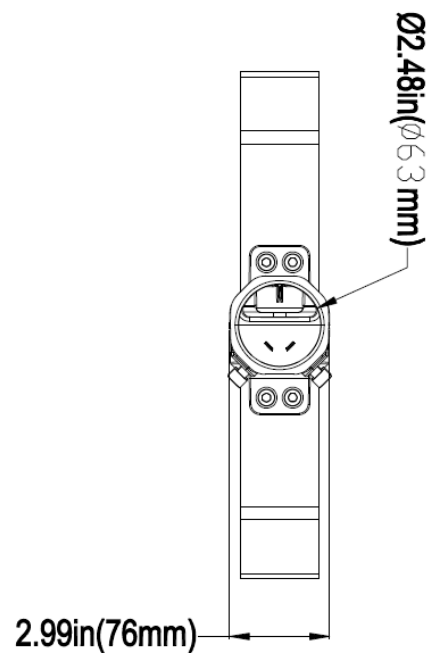
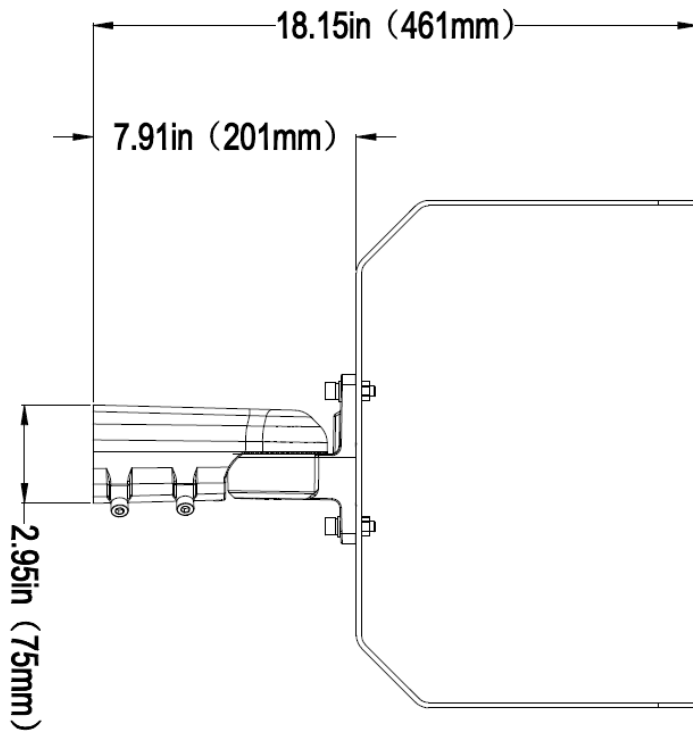
# SPORT LIGHT

PQ-SPL9M

## MOUNTING ACCESSORY: SFU BRACKET



SFU BRACKET



# SPORT LIGHT

PQ-SPL9M



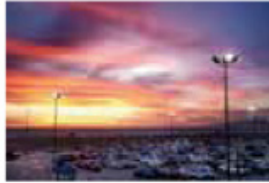
Sports Complex



Football Pitch



Baseball Field



Parking Lot



Industrial & construction sites



Airport



Port Lighting

## Applications

- Sports & recreational fields
- Large-scale outdoor events
- Industrial and construction sites
- Parking lots and garages
- Crane lighting
- Security and outdoor surveillance

### INSTRUCTIONS FOR ORDERING WITH PREFERRED DIMENSIONS

Catalog Number for Example: PQ-SPL9M-050K-500W-347V-045D-SFU

Series	Color Temperature (CCT)	Power (W)	Input Voltage (V)	Beam Angle	Options
PQ-SPL9M	030K = 3000K	300 400 500	120V = 100-277 AC 347V = 200-480 AC	030D = 30° 045D = 45°	UB = U-Bracket SFU = Split-Fitter U Bracket
	040K = 4000K				
	050K = 5000K				
	057K = 5700K				
	RGB RGBW				

If you have specific technology or service needs, it's highly recommended that you get in touch with Power-Q's experts. They can provide tailored solutions and guidance based on your specific requirements.

**EMAIL:** [info@power-q.ca](mailto:info@power-q.ca)

**PHONE:** 514 667-6810