

# FLOOD LIGHT

## PQ-FLX



- By using the most powerful and efficient heatsink, anti harmful UV & IR.
- Suitable for replacing traditional floodlights.
- IP66 waterproof grade, adapt to the harsh outdoor environment.
- Wide range of applications.



WET LOCATION



SELECTABLE WATTAGE



### FLOOD LIGHT

Model	Color Temperature (CCT)	Power (W)	Input Voltage (V)	Options	Mounting
PQ-FLX	CCTK = 3000K/4000K/5000K	030TW = 30/25/17 063TW = 63/50/36 108TW = 108/90/63 155TW = 155/125/90 250TW = 250/200/150/125	Univ = 120-347AC	P = with photocell Blank = without photocell	TS = Trunnion Mount SF = Slipfitter Mount KN = Knuckle Mount

Catalog Number for Example: PQ-FLX-CCTK-250TW-UNIV-P-KN

### CERTIFICATIONS



# FLOOD LIGHT

PQ-FLX

## SPECIFICATIONS

Models	30TW	63TW	108TW	155TW	250TW
Input voltage	AC120-347V				
Lumens	5,100lm	9,765lm	17,280lm	24,025lm	37,500lm
Color temperature (CCT)	(3000K / 4000K / 5000K) Selectable				
Frequency	50/60 Hz				
Dimmable	0-10V				
Housing	Die-casting aluminum				
Mounting	Knuckle mount Trunnion mount Slipfitter mount				
Options	Photocell (on order)				
Operating Temperature	-40° F (-40° C) to 113° F (45° C)				
Finish Color	Dark bronze				
Certifications	cULus, DLC premium				
Warranty	5 years				

# FLOOD LIGHT

PQ-FLX

## CCT SELECTION CAPABILITY

**Power Setting**

1  
2  
3

**CCT Setting**

3000K  
4000K  
5000K

**Power Setting**

Adjust power between 30/25/17W, 30W default setting. 63/50/36W, 63W default setting. 108/90/63W, 108W default setting. 155/125/90W, 155W default setting.

**CCT Setting**

Adjust CCT between 3000K/4000K/5000K, 5000K default setting.

**Power Setting**

1  
2  
3  
4

**CCT Setting**

3000K  
4000K  
5000K

**Power Setting**

Adjust power between 250/200/150/125W, 250W default setting.

**CCT Setting**

Adjust CCT between 3000K/4000K/5000K, 5000K default setting.

**1/2" NPSM KNUCKLE MOUNT  
MODEL: 30TW & 63TW**



**TRUNNION MOUNT  
MODEL: 30TW / 63TW / 108TW / 155TW**



**TRUNNION MOUNT  
MODEL: 250TW**



# FLOOD LIGHT

PQ-FLX

**SPLIPFITTER MOUNT  
MODEL: 108TW & 155TW**



**SPLIPFITTER MOUNT  
MODEL: 250TW**



## ELECTRICAL DATA

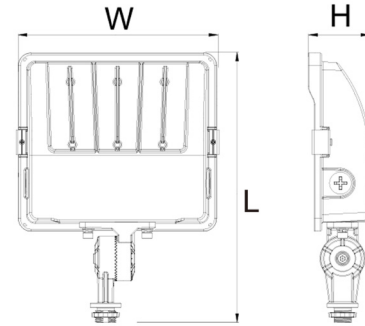
Model	Power	Current (A)				
		Input Voltage (V)				
		120	208	240	277	347
30TW	17	0.16	0.09	0.08	0.07	0.05
	25	0.23	0.13	0.12	0.10	0.08
	30	0.28	0.16	0.14	0.12	0.10
63TW	36	0.33	0.19	0.17	0.14	0.12
	50	0.46	0.27	0.23	0.20	0.16
	63	0.58	0.34	0.29	0.25	0.20
108TW	63	0.58	0.34	0.29	0.25	0.20
	90	0.83	0.48	0.42	0.36	0.29
	108	1.00	0.58	0.50	0.43	0.35
155TW	90	0.83	0.48	0.42	0.36	0.29
	125	1.16	0.67	0.58	0.50	0.40
	155	1.44	0.83	0.72	0.62	0.50
250TW	125	1.16	0.67	0.58	0.50	0.40
	150	1.39	0.80	0.69	0.60	0.48
	200	1.85	1.07	0.93	0.80	0.64
	250	2.31	1.34	1.16	1.00	0.80

# FLOOD LIGHT

PQ-FLX

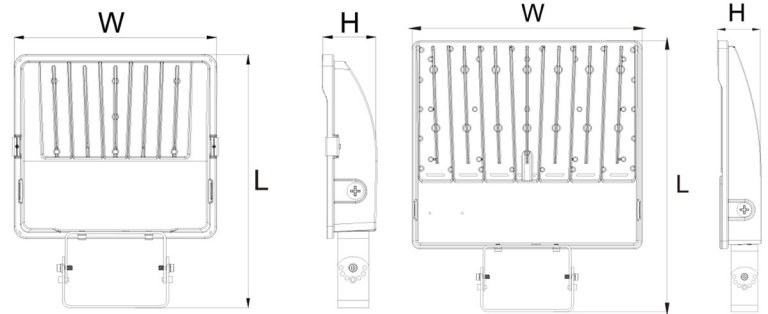
## DIMENSIONS FOR MOUNT

1/2" NPSM KNUCKLE MOUNT	L x W x H
30TW	9.8x7.0x2.3 (inch) 250.1x177.0x57.3 (mm)
63TW	10.8x8.0x2.5 (inch) 275.1x202.2x62.3 (mm)



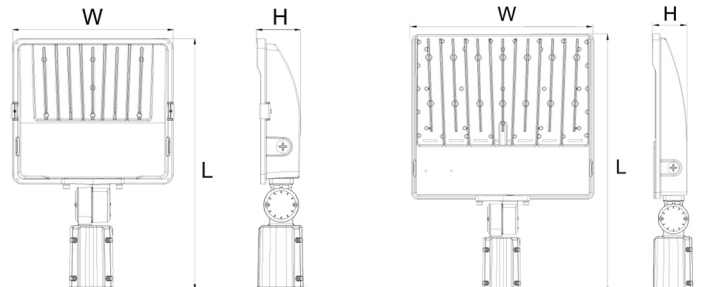
1/2" NPSM KNUCKLE MOUNT

TRUNNION MOUNT	L x W x H
30TW	8.7x7.0x2.3 (inch) 220.5x177.0x57.3mm(mm)
63TW	9.7x8.0x2.5 (inch) 245.6x202.2x62.3(mm)
108TW	11.8x9.2x2.9 (inch) 300.3x232.6x73.6 (mm)
155TW	13.5x10.7x2.9 (inch) 342.3x272.6x73.6 (mm)
250TW	16.4x14.0x2.6 (inch) 416.7x354.5x66.6 (mm)



TRUNNION MOUNT

SPLIFITTER MOUNT	L x W x H
108TW	15.3x9.2x2.9 (inch) 387.6x232.6x73.6 (mm)
155TW	16.8x10.7x2.9 (inch) 427.8x272.6x73.6 (mm)
250TW	19.8x14.0x2.6 (inch) 504.0x354.5x66.6 (mm)



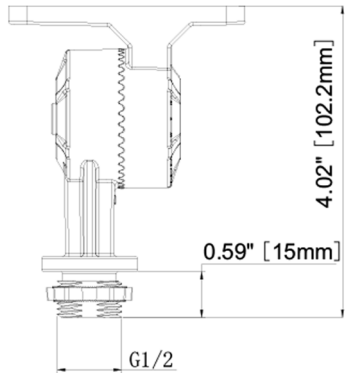
SPLIFITTER MOUNT

# FLOOD LIGHT

PQ-FLX

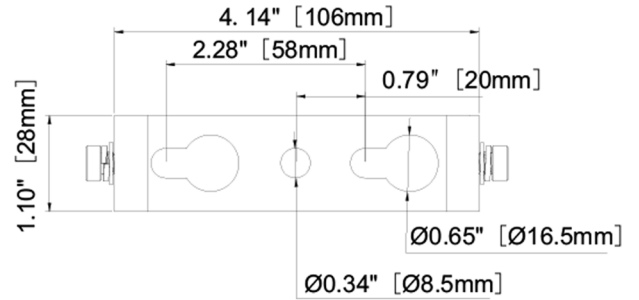
## DRILLING PATTERNS

### 1/2" NPSM KNUCKLE MOUNT



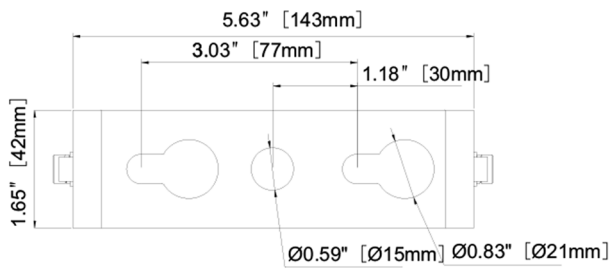
FOR 30TW & 63TW

### TRUNNION MOUNT



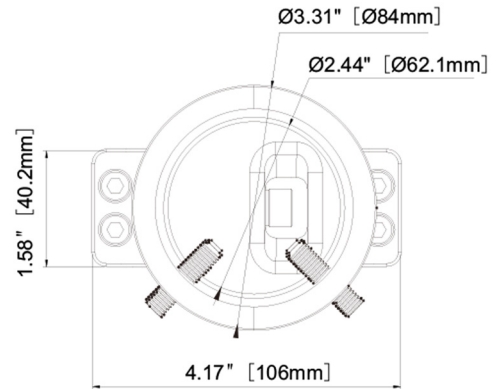
FOR 30TW & 63TW

### TRUNNION MOUNT



FOR 108TW / 155TW / 250TW

### SPLIPFITTER MOUNT



FOR 108TW / 155TW / 250TW

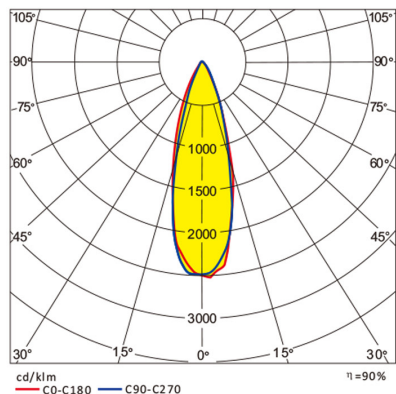
# FLOOD LIGHT

PQ-FLX

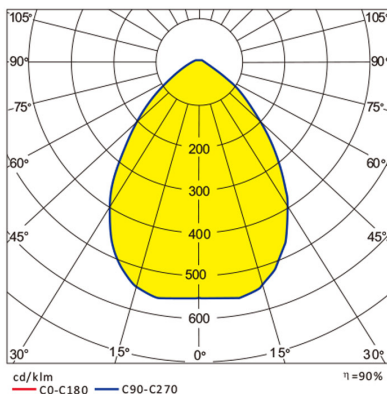
## ACCESSORIES (IN OPTIONS)

	<b>Photocell - With Sunshade Cover</b>
	<b>Shorting Cap kit (with receptacle) for 250TW</b>
	<b>Twist-lock Photocell Kit (with receptacle) for 250TW</b>

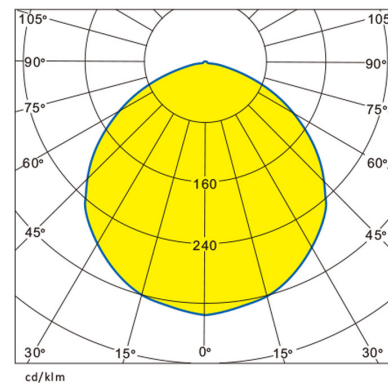
## PHOTOMETRY



**NEMA 4H4V  
250W**



**NEMA 6H6V  
250W**



**NEMA 7H7V  
30W~155W**

## PERFORMANCE DATA

Models	30TW	63TW	108TW	155TW	250TW
Power (W)	30/25/17	63/50/36	108/90/63	155/125/90	250/200/150/125
Lumens (lm)	5,100	9,765	17,280	24,025	37,500
Color temperature (CCT)	(3000K / 4000K / 5000K) Selectable				

# FLOOD LIGHT

PQ-FLX

## APPLICATIONS

---

