

FLOOD LIGHT

PQ-FLX



FLOOD LIGHT					
Model	Color Temperature (CCT)	Power (W)	Input Voltage (V)	Options	Mounting
PQ-FLX	CCTK = 3000K/4000K/5000K	030TW = 30/25/17 063TW = 63/50/36 108TW = 108/90/63 155TW = 155/125/90 250TW = 250/200/150/125	Univ = 120-347AC	P = with photocell Blank = without photocell	TR = Trunnion Mount SF = Slipfitter Mount KN = Knuckle Mount

Catalog Number for Example: PQ-FLX-CCTK-250TW-UNIV-P-KN

CERTIFICATIONS



FLOOD LIGHT

PQ-FLX

SPECIFICATIONS

Models	30TW	63TW	108TW	155TW	250TW
Input voltage	AC120-347V				
Lumens	5,100lm	9,765lm	17,280lm	24,025lm	37,500lm
Color temperature (CCT)	(3000K / 4000K / 5000K) Selectable				
Frequency	50/60 Hz				
Dimmable	0-10V				
Housing	Die-casting aluminum				
Mounting	Knuckle mount Trunnion mount Slipfitter mount				
Options	Photocell (on order)				
Operating Temperature	-40° F (-40° C) to 113° F (45° C)				
Finish Color	Dark bronze				
Certifications	cULus, DLC premium				
Warranty	5 years				

FLOOD LIGHT

PQ-FLX

CCT SELECTION CAPABILITY

Power Setting

1
2
3

CCT Setting

3000K
4000K
5000K

Power Setting

Adjust power between 30/25/17W, 30W default setting. 63/50/36W, 63W default setting. 108/90/63W, 108W default setting. 155/125/90W, 155W default setting.

CCT Setting

Adjust CCT between 3000K/4000K/5000K, 5000K default setting.

Power Setting

1
2
3
4

CCT Setting

3000K
4000K
5000K

Power Setting

Adjust power between 250/200/150/125W, 250W default setting.

CCT Setting

Adjust CCT between 3000K/4000K/5000K, 5000K default setting.

**1/2" NPSM KNUCKLE MOUNT
MODEL: 30TW & 63TW**



**TRUNNION MOUNT
MODEL: 30TW / 63TW / 108TW / 155TW**



**TRUNNION MOUNT
MODEL: 250TW**



FLOOD LIGHT

PQ-FLX

**SPLIPFITTER MOUNT
MODEL: 108TW & 155TW**



**SPLIPFITTER MOUNT
MODEL: 250TW**



ELECTRICAL DATA

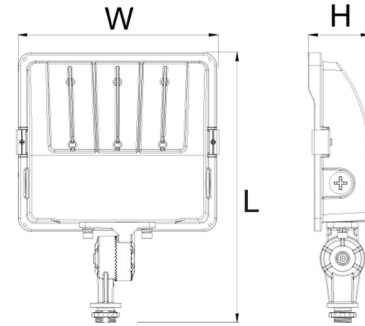
Model	Power	Current (A)				
		Input Voltage (V)				
		120	208	240	277	347
30TW	17	0.16	0.09	0.08	0.07	0.05
	25	0.23	0.13	0.12	0.10	0.08
	30	0.28	0.16	0.14	0.12	0.10
63TW	36	0.33	0.19	0.17	0.14	0.12
	50	0.46	0.27	0.23	0.20	0.16
	63	0.58	0.34	0.29	0.25	0.20
108TW	63	0.58	0.34	0.29	0.25	0.20
	90	0.83	0.48	0.42	0.36	0.29
	108	1.00	0.58	0.50	0.43	0.35
155TW	90	0.83	0.48	0.42	0.36	0.29
	125	1.16	0.67	0.58	0.50	0.40
	155	1.44	0.83	0.72	0.62	0.50
250TW	125	1.16	0.67	0.58	0.50	0.40
	150	1.39	0.80	0.69	0.60	0.48
	200	1.85	1.07	0.93	0.80	0.64
	250	2.31	1.34	1.16	1.00	0.80

FLOOD LIGHT

PQ-FLX

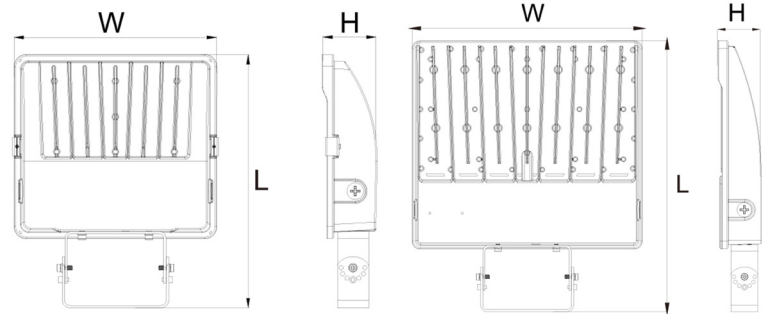
DIMENSIONS FOR MOUNT

1/2" NPSM KNUCKLE MOUNT	L x W x H
30TW	9.8x7.0x2.3 (inch) 250.1x177.0x57.3 (mm)
63TW	10.8x8.0x2.5 (inch) 275.1x202.2x62.3 (mm)



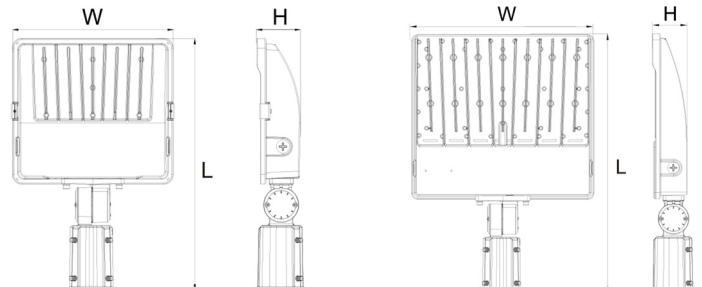
1/2" NPSM KNUCKLE MOUNT

TRUNNION MOUNT	L x W x H
30TW	8.7x7.0x2.3 (inch) 220.5x177.0x57.3mm(mm)
63TW	9.7x8.0x2.5 (inch) 245.6x202.2x62.3(mm)
108TW	11.8x9.2x2.9 (inch) 300.3x232.6x73.6 (mm)
155TW	13.5x10.7x2.9 (inch) 342.3x272.6x73.6 (mm)
250TW	16.4x14.0x2.6 (inch) 416.7x354.5x66.6 (mm)



TRUNNION MOUNT

SPLIFITTER MOUNT	L x W x H
108TW	15.3x9.2x2.9 (inch) 387.6x232.6x73.6 (mm)
155TW	16.8x10.7x2.9 (inch) 427.8x272.6x73.6 (mm)
250TW	19.8x14.0x2.6 (inch) 504.0x354.5x66.6 (mm)



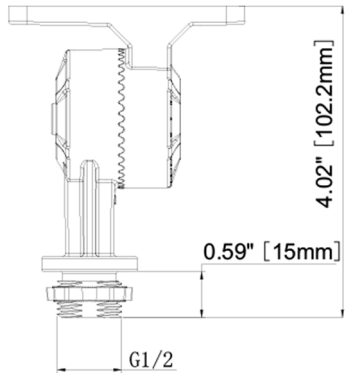
SPLIFITTER MOUNT

FLOOD LIGHT

PQ-FLX

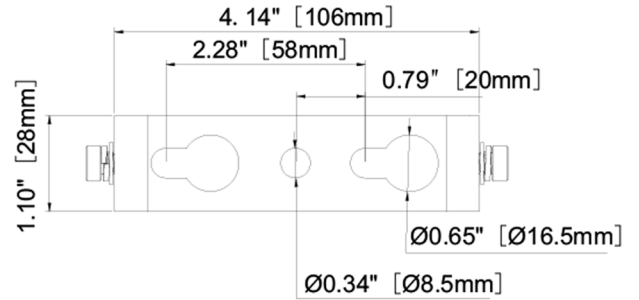
DRILLING PATTERNS

1/2" NPSM KNUCKLE MOUNT



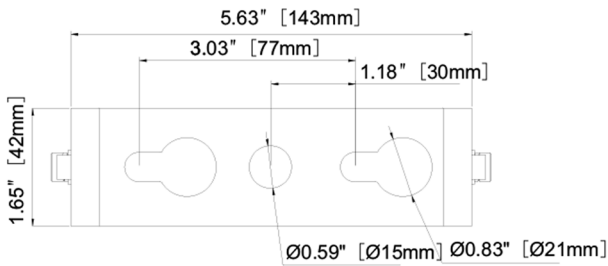
FOR 30TW & 63TW

TRUNNION MOUNT



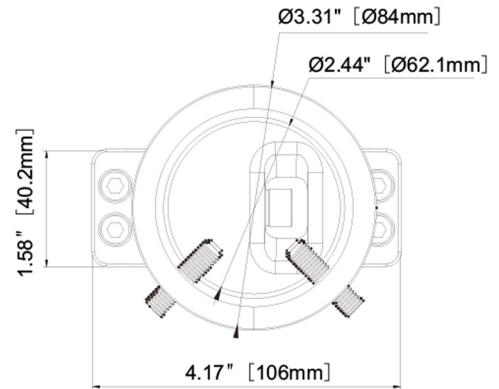
FOR 30TW & 63TW

TRUNNION MOUNT



FOR 108TW / 155TW / 250TW

SPLIPFITTER MOUNT



FOR 108TW / 155TW / 250TW

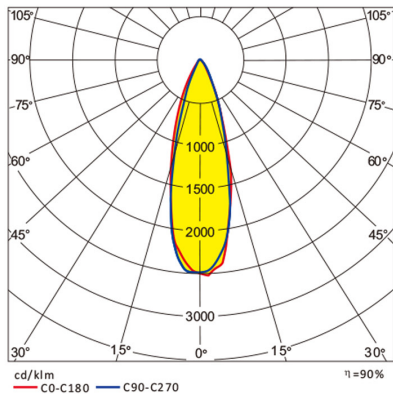
FLOOD LIGHT

PQ-FLX

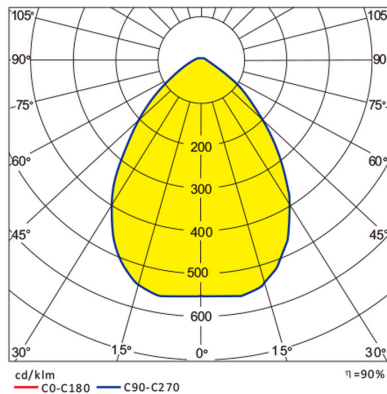
ACCESSORIES (IN OPTIONS)

	Photocell - With Sunshade Cover
	Shorting Cap kit (with receptacle) for 250TW
	Twist-lock Photocell Kit (with receptacle) for 250TW

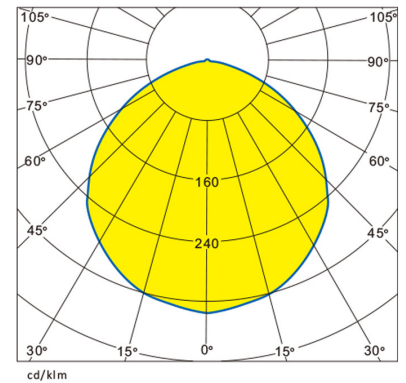
PHOTOMETRY



**NEMA 4H4V
250W**



**NEMA 6H6V
250W**



**NEMA 7H7V
30W~155W**

PERFORMANCE DATA

Models	30TW	63TW	108TW	155TW	250TW
Power (W)	30/25/17	63/50/36	108/90/63	155/125/90	250/200/150/125
Lumens (lm)	5,100	9,765	17,280	24,025	37,500
Color temperature (CCT)	(3000K / 4000K / 5000K) Selectable				

FLOOD LIGHT

PQ-FLX

APPLICATIONS

