

HOSPITAL LED OVERBED LIGHT

PQ-HOBL

The over bed light offers a sleek and elegant design that meets the needs of both the patient and caregiver. The fast power-on method greatly saves expensive labor costs, three different operating modes are designed to provide high quality illumination while meeting the aesthetic requirements of the patient room.



Damp Location



DIMMABLE

HOSPITAL LED OVERBED LIGHT

MODEL	Color Temperature (CCT)	Power (W)	Luminous Flux (Lm)	Input Voltage (V)	Dimensions (Inches)
PQ-HOBL	3000K	30W UP: 10W DOWN: 0/10/15/20W	3450lm	120V = 120-277V UNIV = 120-347V	23.78"x5.39"x3.16"
	3500K	40W UP: 10W DOWN: 0/10/20/30W	4600lm		35.59"x5.39"x3.16"
	4000K	60W UP: 20W DOWN: 0/20/30/40W	6900lm		47.40"x5.39"x3.16"
	CCTK = 3000K / 3500K / 4000K				47.40"x5.39"x3.16"

CERTIFICATIONS



HOSPITAL LED OVERBED LIGHT

PQ-HOBL

SPECIFICATIONS

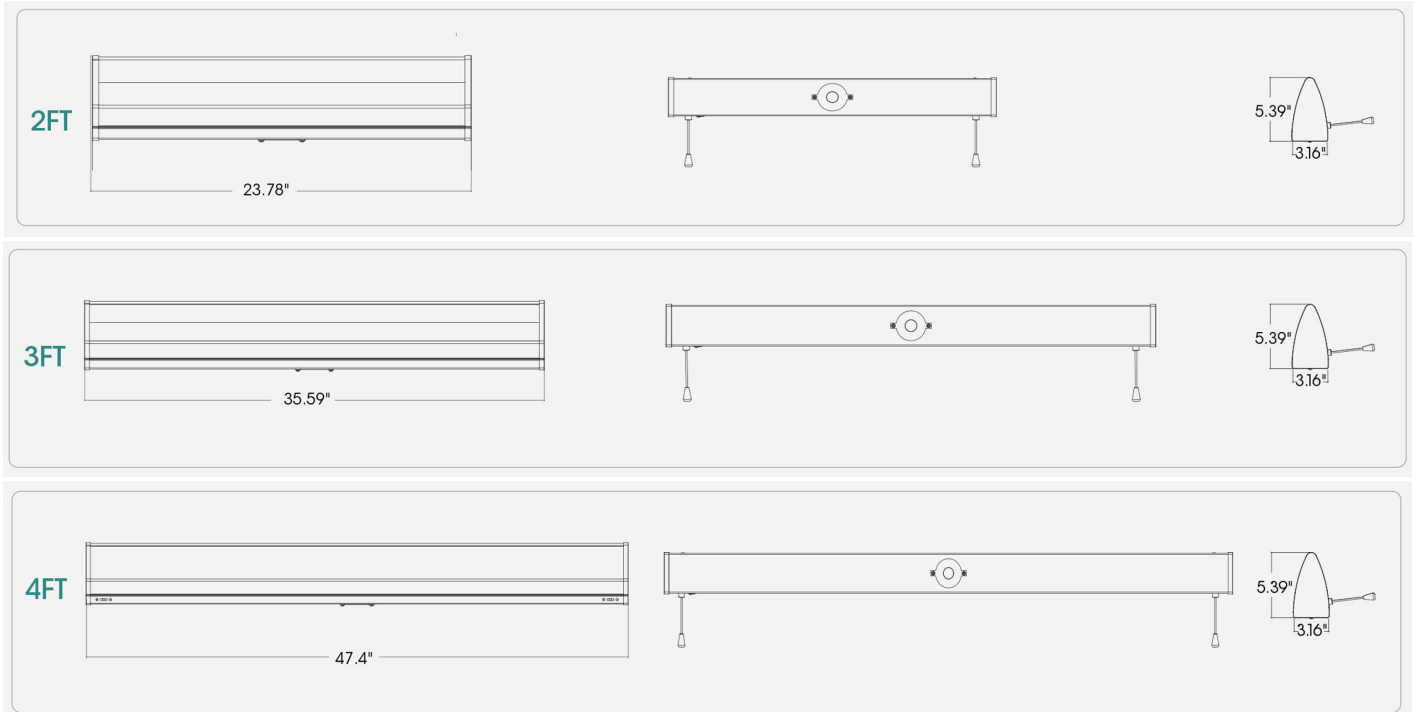
Power (W)	30W	40W	60W
Up Light	10W	10W	20W
Down Light	0/10/15/20W	0/10/20/30W	0/20/30/40W
Input Voltage (V)	120-277V, 120-347V		
Lumen per watt	115Lm/w		
Lumen	3450lm	4600lm	6900lm
CCT (Fixed / Adjustable)	3000K / 3500K / 4000K / CCTK		
CRI	80 or 90		
Dimmable	Yes		
Auxiliary Functions	AC Output, USB Charging		
Lighting Control	Pull Chains, Multifunction Switch		
Operating Mode	<ul style="list-style-type: none"> • Night Light: 10W • Ambient Light: 10W • Reading Light: 10W • Examination Light: 20W 	<ul style="list-style-type: none"> • Night Light: 10W • Ambient Light: 10W • Reading Light: 20W • Examination Light: 30W 	<ul style="list-style-type: none"> • Night Light: 20W • Ambient Light: 20W • Reading Light: 30W • Examination Light: 40W
Dimension (inches)	23.78"x5.39"x3.16"	35.59"x5.39"x3.16"	47.40"x5.39"x3.16"



HOSPITAL LED OVERBED LIGHT

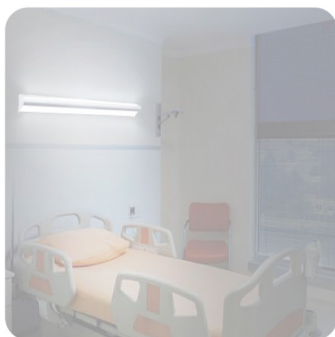
PQ-HOBL

DIMENSIONS

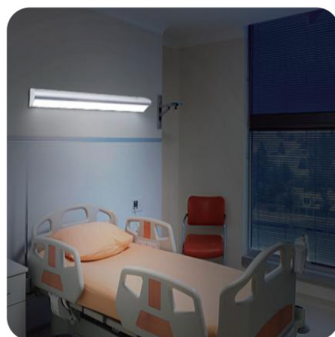


FUNCTIONS

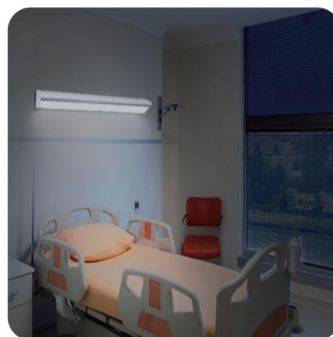
- Reading light
- Ambient light
- Examination light
- Night light
- Antimicrobial nish optional
- Impact resistant polycarbonate lens
- Slim design
- Seamless end caps



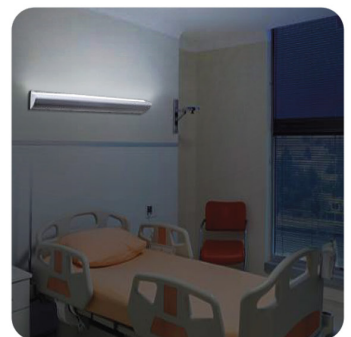
Exam
3450lm



Reading
2300lm



Ambient
1000lm



Night Light
800lm

HOSPITAL LED OVERBED LIGHT

PQ-HOBL

OPTIONS

Pull Chains



Switch



HOSPITAL LED OVERBED LIGHT

PQ-HOBL

GUIDE TO ORDER

Catalog number as an example: PQ-HOBL-CCTK-040W-UNIV-004P-PC

MODEL	Color Temperature (CCT)	Power (W)	Input Voltage (V)	Dimensions (Inches)	Lighting Control
PQ-HOBL	CCTK = 3000K / 3500K / 4000K	30W	120V = 120-277V UNIV = 120-347V	002P = 23.78"x5.39"x3.16"	PC = Pull Chains MS = Multifunction Switch
		40W		003P = 35.59"x5.39"x3.16"	
		60W		004P = 47.40"x5.39"x3.16"	
	030K = 3000K 035K = 3500K 040K = 4000K	30W		004P = 47.40"x5.39"x3.16"	MS = Multifunction Switch
		40W		002P = 23.78"x5.39"x3.16"	
		60W		003P = 35.59"x5.39"x3.16"	
		004P = 47.40"x5.39"x3.16"			