

EXPLOSION PROOF F-SERIES

PQ-EXFS

- High efficacy: up to 140lm/W
- Wide and narrow optics for uniform illumination.
- Adopt copper-free aluminum material to achieve excellent corrosion resistance.
- Installation methods include surface mounting and pendant mounting.
- High vibration resistance.

- CSA C22.2 No.137/No.250.0
- Class I, Division 1, Groups C, D
- Class I, Division 2, Groups A, B, C, D
- Class II, Division 1, Groups E, F, G
- Class II, Division 2, Groups F, G
- Class III
- UL 1598, UL1598A, UL844
- ABS
- IP66
- NEMA 4X



CERTIFICATIONS

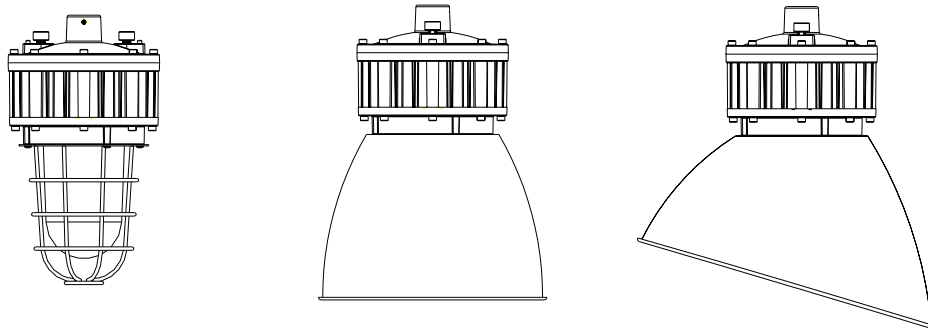


EXPLOSION PROOF F-SERIES

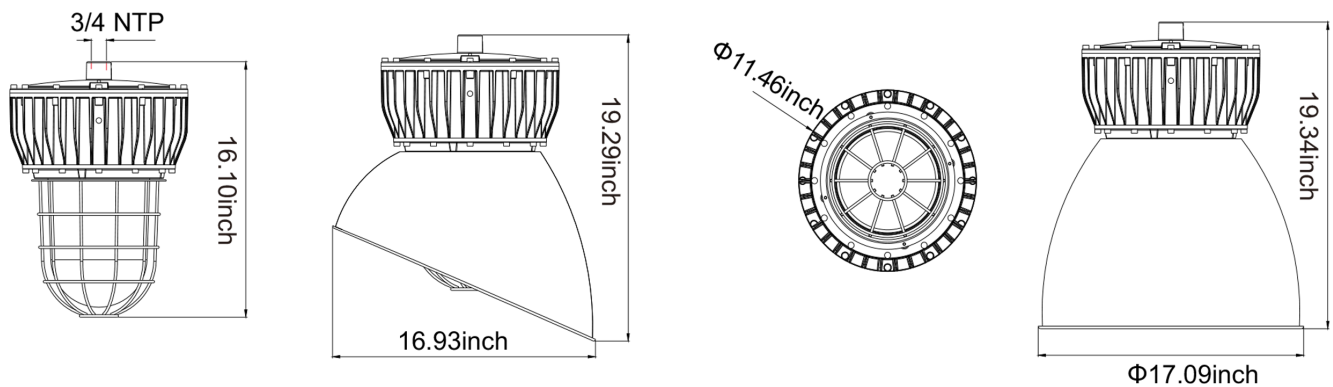
PQ-EXFS

SPECIFICATIONS

Models	PQ-EXFS			
Power	40W	60W	80W	100W
Input Voltage	AC100-277V			
Lumen Output	5600lm	8400lm	11200lm	14000lm
Lumens per Watt	140lm/W			
CCT	3500K-5700K			
CRI	>70			
Beam Angle	60°, 90°, 120°			
Operating Temperature	-40°C (-40°F) to 65°C (149°F)			



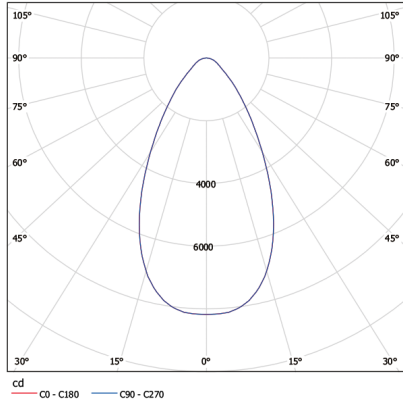
DIMENSIONS (INCH)



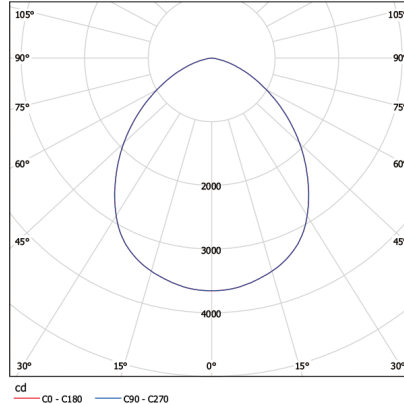
EXPLOSION PROOF F-SERIES

PQ-EXFS

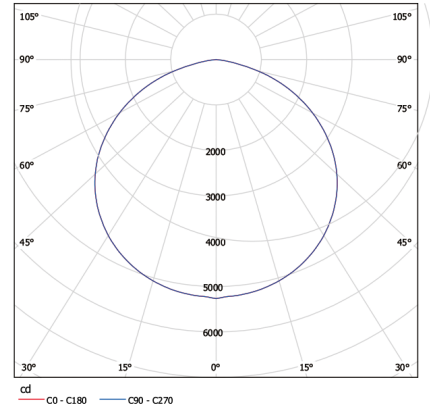
PHOTOMETRY



60°

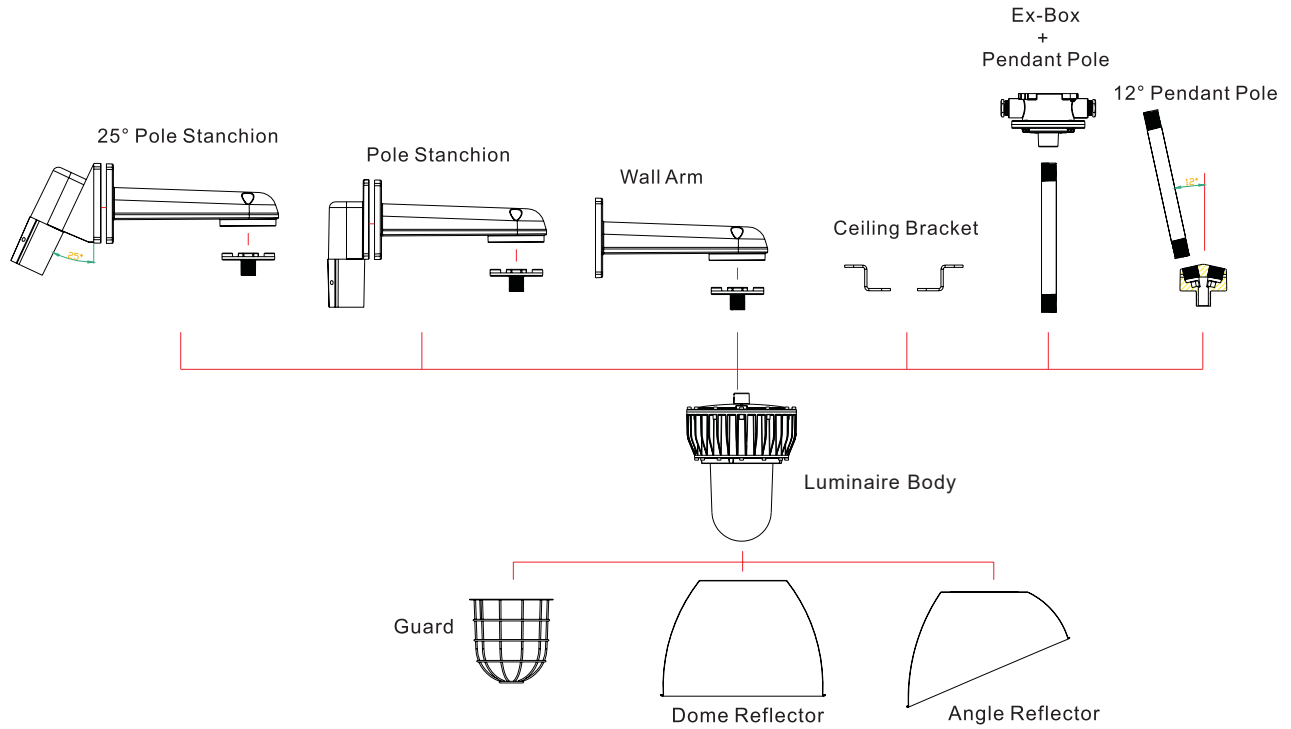


90°



120°

INSTALLATION



EXPLOSION PROOF F-SERIES

PQ-EXFS

This luminaire can be used as spot light, down light and tunnel light which can provide general illumination in hazardous locations.

APPLICATIONS

- Oil refineries and gas stations
- Oil and gasoline loading docks
- Distilleries
- Painting manufacturing plants
- Pumping stations
- Mines
- Vessels
- Other high-humidity, high-temperature, dusty locations

INSTRUCTIONS FOR ORDERING

Model	Color Temperature	Power (W)	Voltage (V)	Beam Angle	Dimming (Optional)
PQ-EXFS	035K = 3500K	040W	120V = 100-277VAC	060D = 60°	D = Dimmable Blank = Non-Dimmable
	041K = 4000K	060W		090D = 90°	
	051K = 5000K	080W		120D = 120°	
	057K = 5700K	100W			

Catalog Number for Example: PQ-EXFS-051K-060W-120V-090D-D