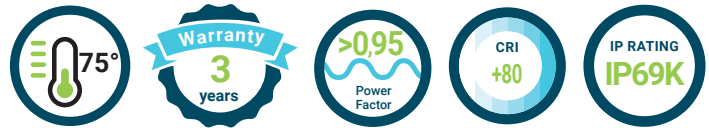


# HIGH TEMPERATURE HIGH BAY

## PQ-HBHFY2

- High efficacy 150lm/w
- Aluminum heatsink
- Full 75°C ambient rating
- 80w to 300w
- 3 year warranty



### HIGH TEMPERATURE HIGH BAY

MODEL	Color Temperature (CCT)	Power (W)	Luminous Flux (Lm)	Dimensions (mm)	Input Voltage (V)
PQ-HBHFY2	031K = 3000K 041K = 4000K 051K = 5000K	200W	30000lm	810 x 250 x 69	120V = 100-277V
	061K = 6000K 065K = 6500K	300W	45000lm	1210 x 250 x 69	

### CERTIFICATIONS

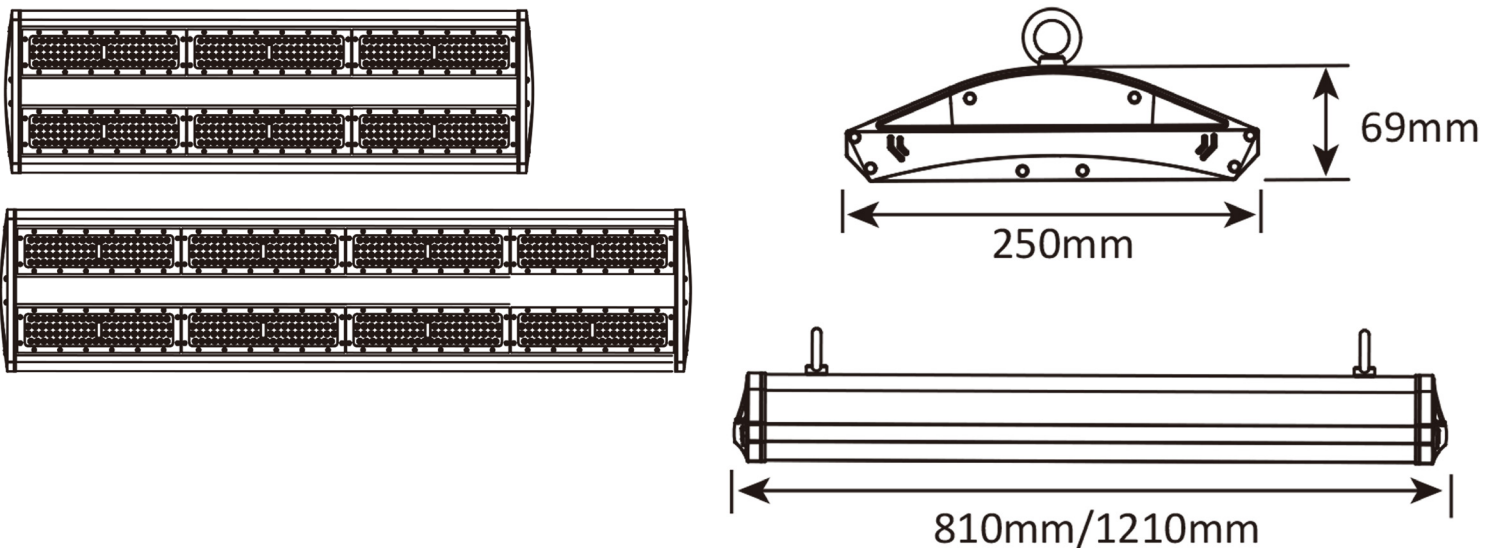


# HIGH TEMPERATURE HIGH BAY

PQ-HBHFY2

SPECIFICATIONS		
Model	PQ-HBHFY2	
Power (W)	200w	300w
Lumen	30000 lm	45000 lm
Input Voltage	AC100-277V	
Frequency	50/60HZ	
Power Factor	>0.95	
Working Temperature	-40°C to 75°C	
Lumen Efficacy	150 lm/w	
Color Temperature	3000K-6500K	
Beam Angle	15° / 25° / 40° / 60° / 90° / 120° / 30°X15° / 49°X21° / 136°X78°	
CRI	Ra>80	
Housing Color	Aluminum	
Lifespan	>50.000 hours@L70	
Fixture dimension (mm)	810*250*69	1210*250*69

## DIMENSIONS (MM)



# HIGH TEMPERATURE HIGH BAY

PQ-HBHFY2

## APPLICATIONS



### IN-SITE TEMPERATURE MEASUREMENT TEST CONDITIONS

Temperature (°C)	Voltage (V)	Frequency (Hz)	Current (A)	Power Factor	Power (W)	Orientation
75.8	120.01	60	2.546	0.998	304.94	Horizontal

### TEST RESULTS (LED)

Thermocouple Location	Manufacturer Declared Current (mA)	Temperature for Lighting source (°C)		LED Model Number	LM-80 Ref. Current (mA)	LM-80 Limit Temp. (°C)
		Test result column 1	Test result (Correct to 75 °C)			
TMP of LEDs	700	93.9	93.1	3535	700	105
Ambient temperature	N/A	75.8	75.0			

### TEST RESULTS (DRIVER)

Thermocouple Location	Temperature for Driver (°C)		Driver Model Number	Driver Limit Temp. (°C)
	Test result column 1	Test result (Correct to 75 °C)		
Tc Point of Driver	90.4	89.6	FY-N260-210WNW	90
Ambient temperature	75.8	75.0		

# HIGH TEMPERATURE HIGH BAY

PQ-HBHFY2

## INSTRUCTIONS FOR ORDERING

Model	Color Temperature (CCT)	Power (W)	Input Voltage (V)	Beam Angle
PQ-HBHFY2	031K = 3000K 041K = 4000K 051K = 5000K 061K = 6000K 065K = 6500K	200W 300W	120V = 100-277VAC	015D = 15° 025D = 25° 040D = 40° 060D = 60° 090D = 90° 120D = 120° 3015D = 30°x15° 4921D = 49°x21° 13678D = 136°x78°

Catalog Number for Example: PQ-HBHFY2-051K-200W-120V-120D

If you have specific technology or service needs, it's highly recommended that you get in touch with Power-Q's experts. They can provide tailored solutions and guidance based on your specific requirements.

EMAIL: [info@power-q.ca](mailto:info@power-q.ca)

PHONE: 514 667-6810